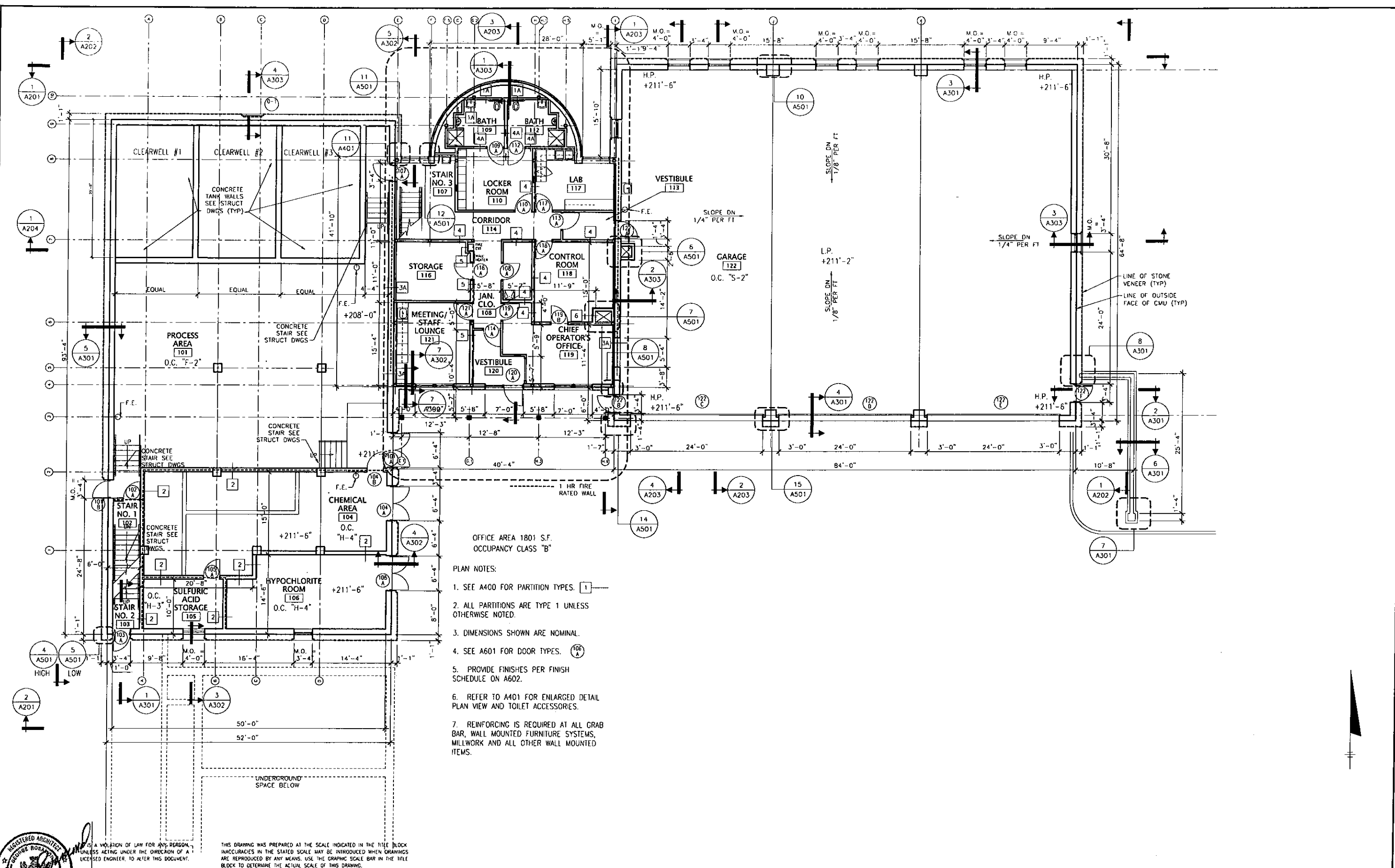


G:\PROJECTS\MUNICIPAL\1191-00 - BEDFORD WATER TREATMENT\1191-00 DRAWINGS\1191-00\_09\_1012\_CONSTRUCTION DRAWINGS WORKING SET\1191-00\_ACTIVE PLANS.DWG  
 SAVED: 10/15/09 3:53 PM



OFFICE AREA 1801 S.F.  
OCCUPANCY CLASS "B"

PLAN NOTES:

1. SEE A400 FOR PARTITION TYPES. [1]
2. ALL PARTITIONS ARE TYPE 1 UNLESS OTHERWISE NOTED.
3. DIMENSIONS SHOWN ARE NOMINAL.
4. SEE A601 FOR DOOR TYPES. [106 A]
5. PROVIDE FINISHES PER FINISH SCHEDULE ON A602.
6. REFER TO A401 FOR ENLARGED DETAIL PLAN VIEW AND TOILET ACCESSORIES.
7. REINFORCING IS REQUIRED AT ALL GRAB BAR, WALL MOUNTED FURNITURE SYSTEMS, MILLWORK AND ALL OTHER WALL MOUNTED ITEMS.



THIS DRAWING WAS PREPARED AT THE SCALE INDICATED IN THE TITLE BLOCK. INACCURACIES IN THE STATED SCALE MAY BE INTRODUCED WHEN DRAWINGS ARE REPRODUCED BY ANY MEANS. USE THE GRAPHIC SCALE BAR IN THE TITLE BLOCK TO DETERMINE THE ACTUAL SCALE OF THIS DRAWING.

IN CHARGE OF \_\_\_\_\_  
 DESIGNED BY \_\_\_\_\_ CHECKED BY \_\_\_\_\_  
 DRAWN BY \_\_\_\_\_



NO.	DATE	REVISION
0	10/19/09	ISSUED FOR BID

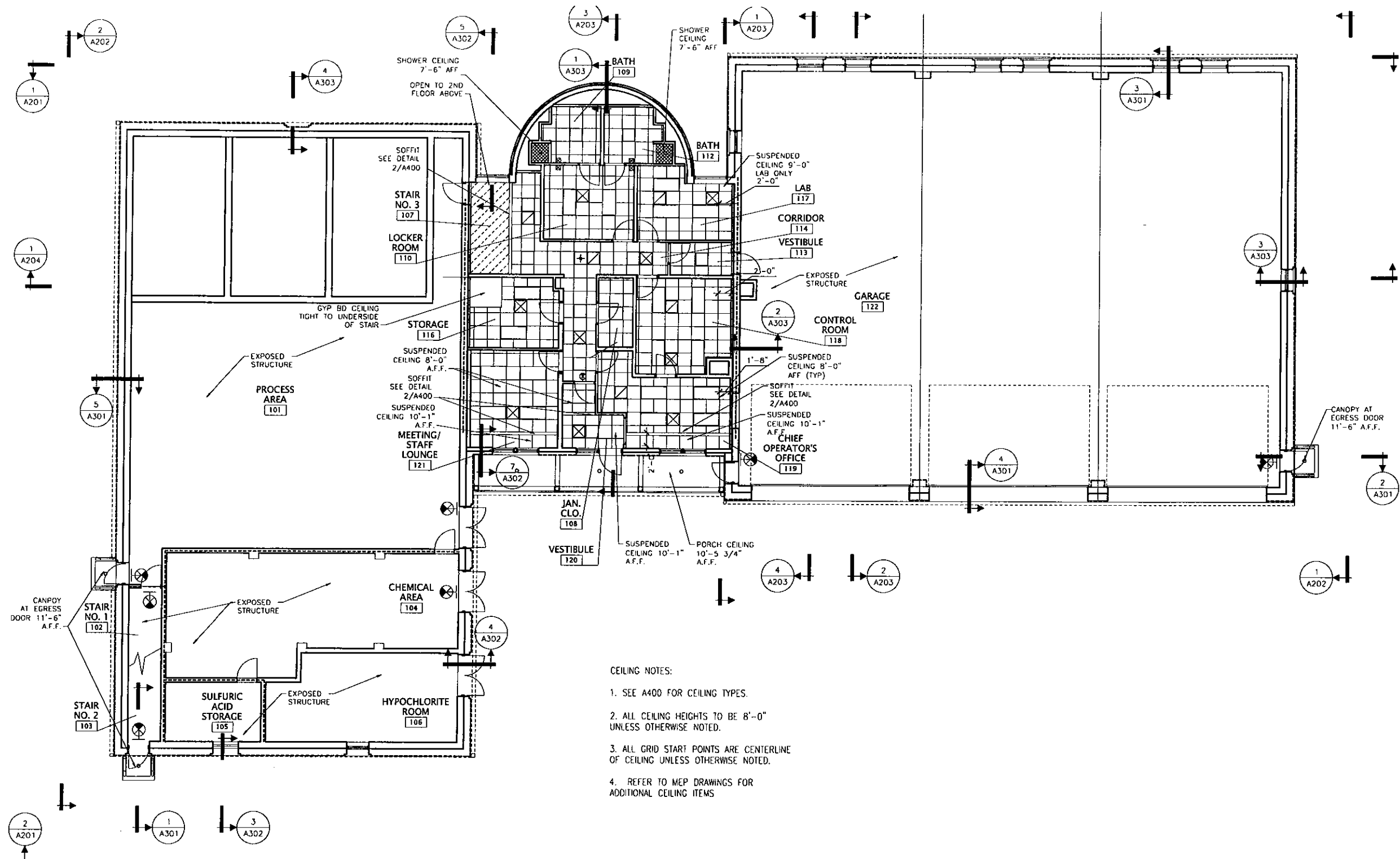
**Lothrop associates architects**  
 200 Summit Lake Drive, Valhalla, N.Y 10595 914 741-1115

TOWN OF BEDFORD  
 WATER FILTRATION PLANT &  
 CONNECTION TO THE DELAWARE  
 AQUEDUCT AT SHAFT #13  
 BEDFORD, NEW YORK

ARCHITECTURAL  
**FIRST FLOOR  
 CONSTRUCTION PLAN**

FILE NO. 1191-00	A111
DATE OCTOBER 2009	

G:\PROJECTS\MUNICIPAL\1191-00 - BEDFORD WATER TREATMENT\1191-00 DRAWINGS\1191-00\_09\_1012.CONSTRUCTION DRAWINGS WORKING SET\1191-00\_ACTIVE PLANS.DWG



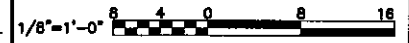
- CEILING NOTES:
1. SEE A400 FOR CEILING TYPES.
  2. ALL CEILING HEIGHTS TO BE 8'-0" UNLESS OTHERWISE NOTED.
  3. ALL GRID START POINTS ARE CENTERLINE OF CEILING UNLESS OTHERWISE NOTED.
  4. REFER TO MEP DRAWINGS FOR ADDITIONAL CEILING ITEMS



IT IS A VIOLATION OF LAW FOR ANY PERSON, UNLESS ACTING UNDER THE DIRECTION OF A LICENSED ENGINEER, TO ALTER THIS DOCUMENT.

THIS DRAWING WAS PREPARED AT THE SCALE INDICATED IN THE TITLE BLOCK. INACCURACIES IN THE STATED SCALE MAY BE INTRODUCED WHEN DRAWINGS ARE REPRODUCED BY ANY MEANS. USE THE GRAPHIC SCALE BAR IN THE TITLE BLOCK TO DETERMINE THE ACTUAL SCALE OF THIS DRAWING.

IN CHARGE OF \_\_\_\_\_  
 DESIGNED BY \_\_\_\_\_ CHECKED BY \_\_\_\_\_  
 DRAWN BY \_\_\_\_\_



NO.	DATE	REVISION	INIT.
0	10/19/09	ISSUED FOR BID	

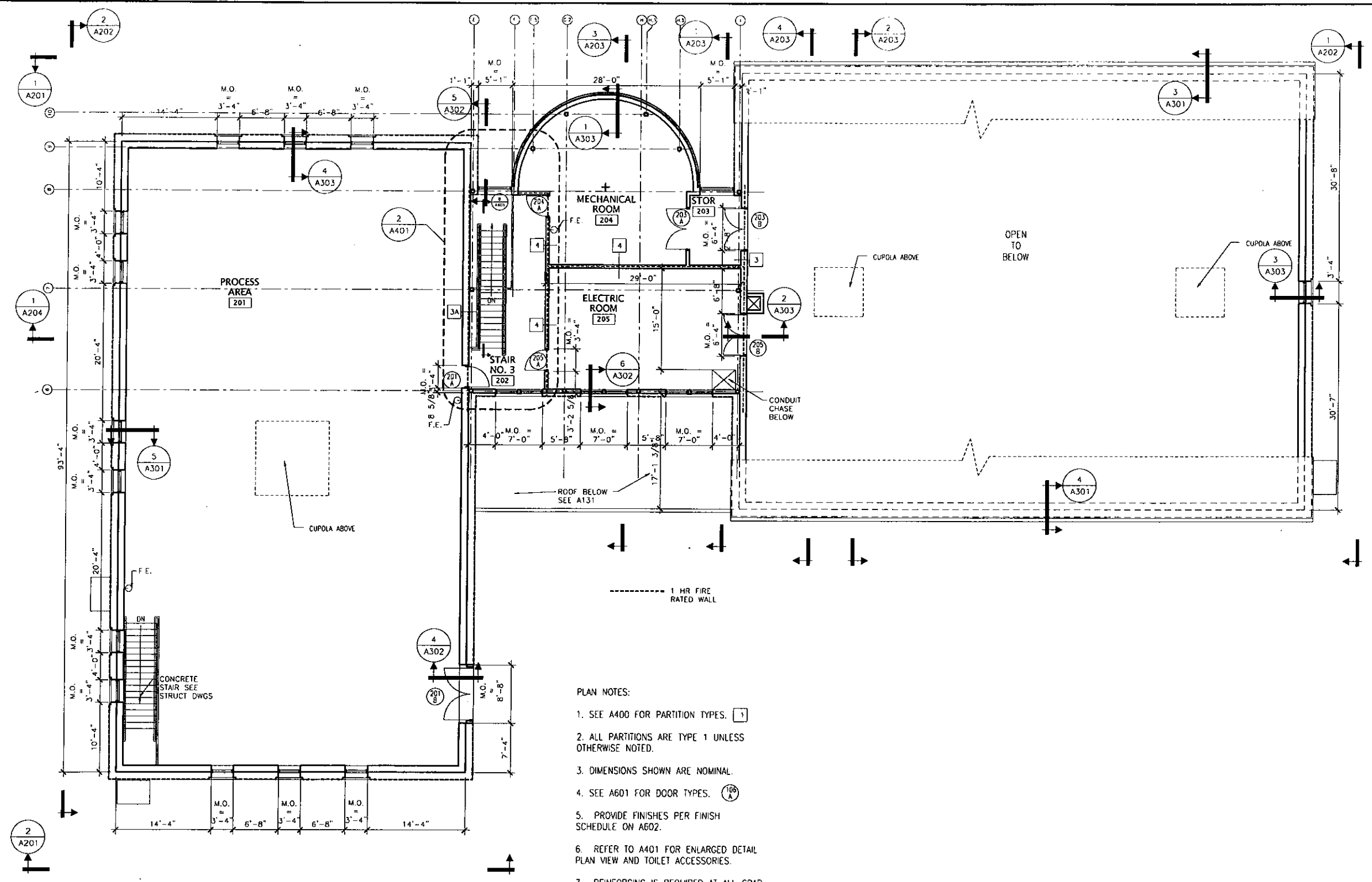
**Lothrop associates architects**  
 200 Summit Lake Drive, Valhalla, N.Y 10595 914 741-1115

TOWN OF BEDFORD  
 WATER FILTRATION PLANT &  
 CONNECTION TO THE DELAWARE  
 AQUEDUCT AT SHAFT #13  
 BEDFORD, NEW YORK

ARCHITECTURAL  
**FIRST FLOOR  
 REFLECTED CEILING PLAN**

FILE NO  
 1191-00  
 DATE  
 OCTOBER 2009

A112



- PLAN NOTES:
1. SEE A400 FOR PARTITION TYPES. (1)
  2. ALL PARTITIONS ARE TYPE 1 UNLESS OTHERWISE NOTED.
  3. DIMENSIONS SHOWN ARE NOMINAL.
  4. SEE A601 FOR DOOR TYPES. (100 A)
  5. PROVIDE FINISHES PER FINISH SCHEDULE ON A602.
  6. REFER TO A401 FOR ENLARGED DETAIL PLAN VIEW AND TOILET ACCESSORIES.
  7. REINFORCING IS REQUIRED AT ALL GRAB BAR, WALL MOUNTED FURNITURE SYSTEMS, MILLWORK AND ALL OTHER WALL MOUNTED ITEMS.

**SECOND FLOOR CONSTRUCTION PLAN**  
SCALE 1/4" = 1'-0"



IT IS A VIOLATION OF LAW FOR ANY PERSON, UNLESS ACTING UNDER THE DIRECTION OF A LICENSED ENGINEER, TO ALTER THIS DOCUMENT.

THIS DRAWING WAS PREPARED AT THE SCALE INDICATED IN THE TITLE BLOCK. INACCURACIES IN THE STATED SCALE MAY BE INTRODUCED WHEN DRAWINGS ARE REPRODUCED BY ANY MEANS. USE THE GRAPHIC SCALE BAR IN THE TITLE BLOCK TO DETERMINE THE ACTUAL SCALE OF THIS DRAWING.

IN CHARGE OF \_\_\_\_\_  
DESIGNED BY \_\_\_\_\_ CHECKED BY \_\_\_\_\_  
DRAWN BY \_\_\_\_\_



NO.	DATE	REVISION	INIT.
0	10/19/09	ISSUED FOR BID	

**Lothrop associates architects**  
200 Summit Lake Drive, Valhalla, N.Y 10595 914 741-1115

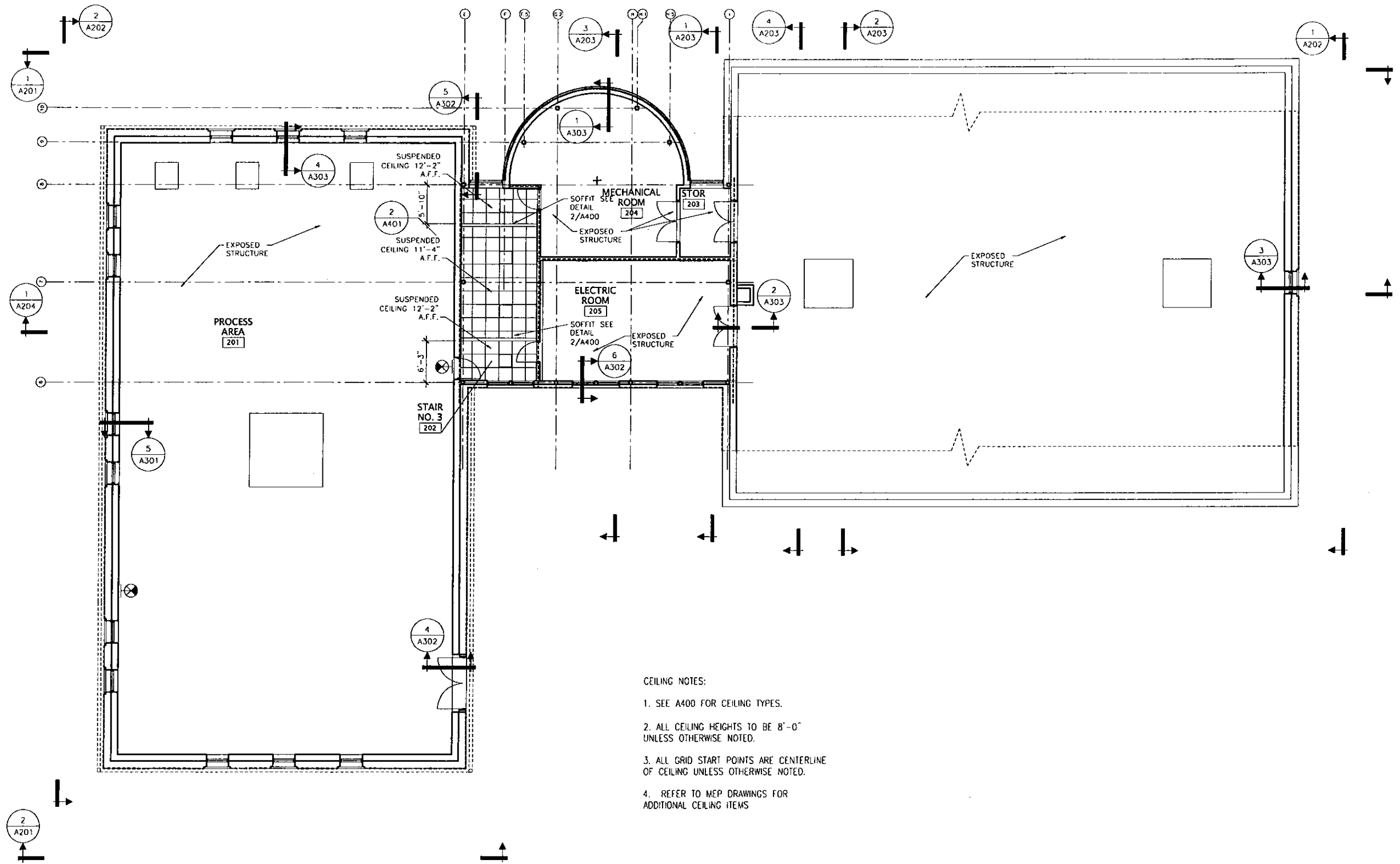
TOWN OF BEDFORD  
WATER FILTRATION PLANT &  
CONNECTION TO THE DELAWARE  
AQUEDUCT AT SHAFT #13  
BEDFORD, NEW YORK

ARCHITECTURAL  
**SECOND FLOOR  
CONSTRUCTION PLAN**

FILE NO.  
1191-00  
DATE  
OCTOBER 2009

A121

C:\PROJECTS\MUNICIPAL\1191-00 - BEDFORD WATER TREATMENT\1191-00 DRAWINGS\1191-00\_09\_1012\_CONSTRUCTION DRAWINGS WORKING SET\1191-00\_ACTIVE PLANS.DWG



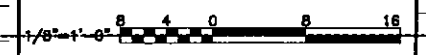
- CEILING NOTES:
1. SEE A400 FOR CEILING TYPES.
  2. ALL CEILING HEIGHTS TO BE 8'-0" UNLESS OTHERWISE NOTED.
  3. ALL GRID START POINTS ARE CENTERLINE OF CEILING UNLESS OTHERWISE NOTED.
  4. REFER TO MEP DRAWINGS FOR ADDITIONAL CEILING ITEMS



THIS IS A VIOLATION OF LAW FOR ANY PERSON UNLESS ACTING UNDER THE DIRECTION OF A LICENSED ENGINEER, TO ALTER THIS DOCUMENT.

THIS DRAWING WAS PREPARED AT THE SCALE INDICATED IN THE TITLE BLOCK. INACCURACIES IN THE STATED SCALE MAY BE INTRODUCED WHEN DRAWINGS ARE REPRODUCED BY ANY MEANS. USE THE GRAPHIC SCALE BAR IN THE TITLE BLOCK TO DETERMINE THE ACTUAL SCALE OF THIS DRAWING.

IN CHARGE OF \_\_\_\_\_  
 DESIGNED BY \_\_\_\_\_ CHECKED BY \_\_\_\_\_  
 DRAWN BY \_\_\_\_\_



NO.	DATE	REVISION	INIT.
0	10/19/09	ISSUED FOR BID	

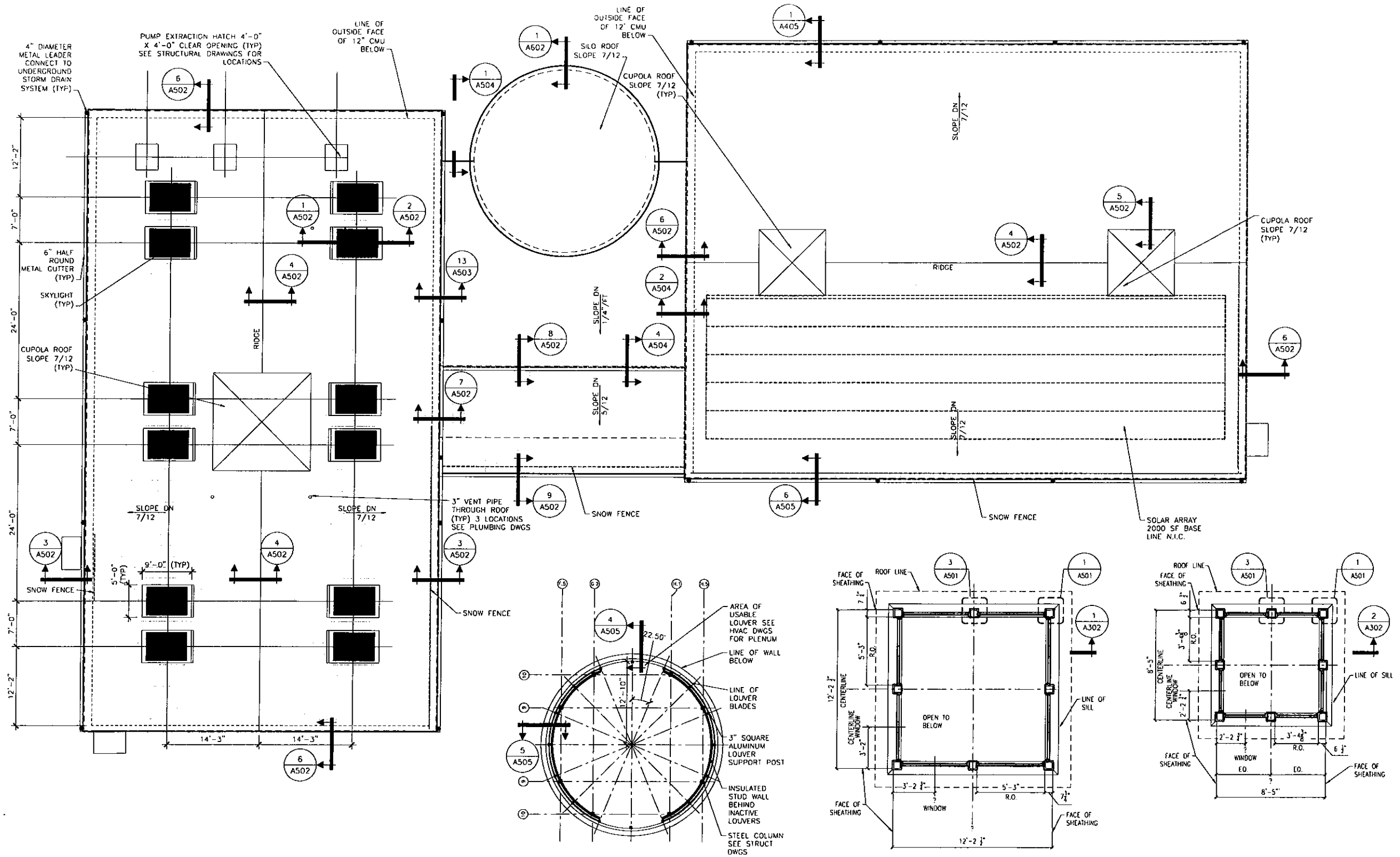
**Lothrop associates architects**  
 200 Summit Lake Drive, Valhalla, N.Y 10595 914 741-1116

TOWN OF BEDFORD  
 WATER FILTRATION PLANT &  
 CONNECTION TO THE DELAWARE  
 AQUEDUCT AT SHAFT #13  
 BEDFORD, NEW YORK

ARCHITECTURAL  
**SECOND FLOOR  
 REFLECTED CEILING PLAN**

FILE NO.  
 1191-00  
 DATE  
 OCTOBER 2009

A122



ROOF PLAN  
SCALE 1/8" = 1'-0"

SILO ATTIC PLAN  
SCALE 1/8" = 1'-0"

PROCESS CUPOLA PLAN  
SCALE 1/4" = 1'-0"

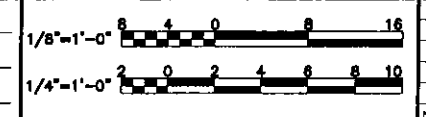
GARAGE CUPOLA PLAN  
SCALE 1/4" = 1'-0"



IT IS A VIOLATION OF LAW FOR ANY PERSON, UNLESS ACTING UNDER THE DIRECTION OF A LICENSED ENGINEER, TO ALTER THIS DOCUMENT.

THIS DRAWING WAS PREPARED AT THE SCALE INDICATED IN THE TITLE BLOCK. INACCURACIES IN THE STATED SCALE MAY BE INTRODUCED WHEN DRAWINGS ARE REPRODUCED BY ANY MEANS. USE THE GRAPHIC SCALE BAR IN THE TITLE BLOCK TO DETERMINE THE ACTUAL SCALE OF THIS DRAWING.

IN CHARGE OF \_\_\_\_\_  
DESIGNED BY \_\_\_\_\_ CHECKED BY \_\_\_\_\_  
DRAWN BY \_\_\_\_\_



NO.	DATE	REVISION
0	10/19/09	ISSUED FOR BID

**Lothrop associates architects**  
200 Summit Lake Drive, Valhalla, N.Y 10595 914 741-1115

TOWN OF BEDFORD  
WATER FILTRATION PLANT &  
CONNECTION TO THE DELAWARE  
AQUEDUCT AT SHAFT #13  
BEDFORD, NEW YORK

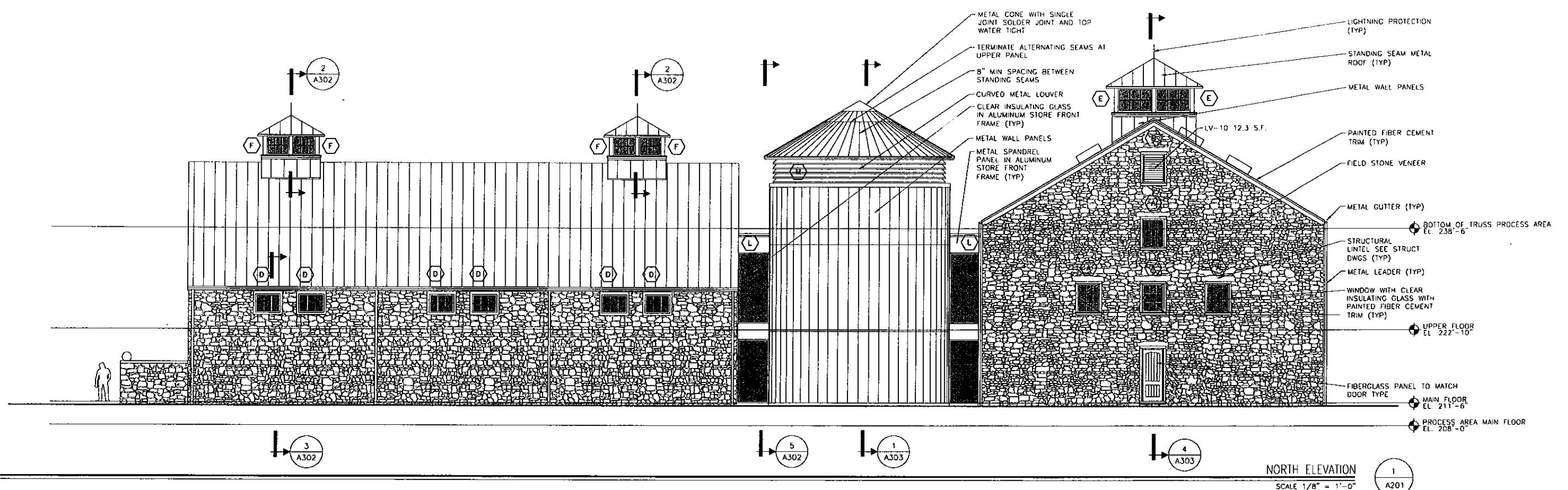
ARCHITECTURAL  
**ROOF PLAN**

FILE NO.  
1191-00  
DATE  
OCTOBER 2009

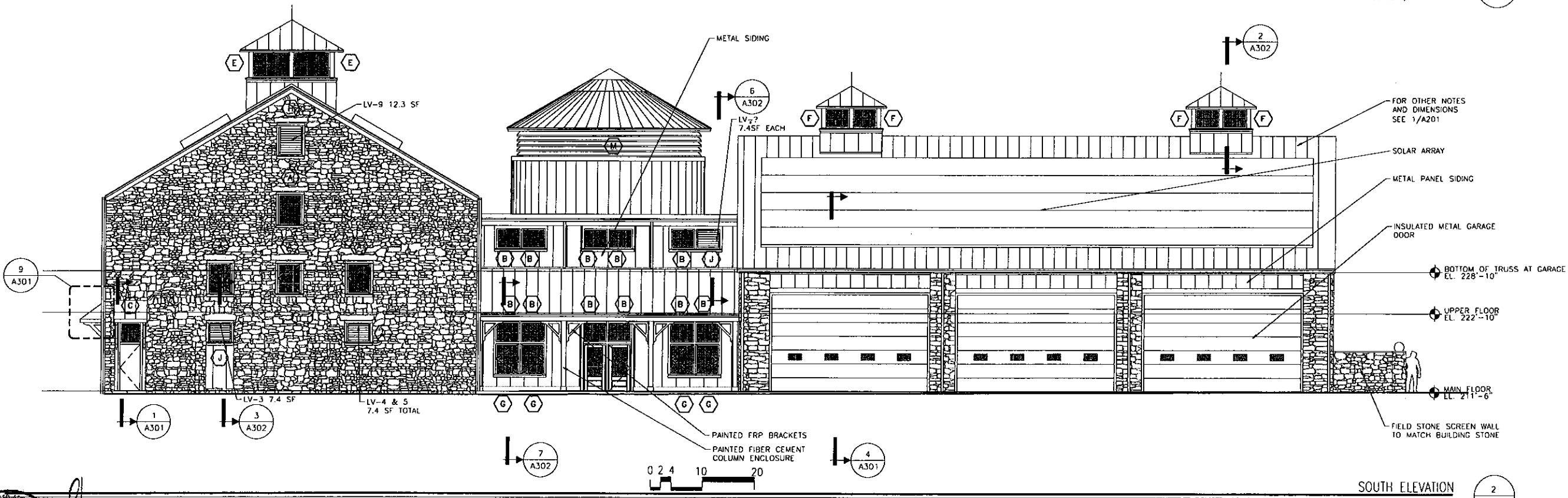
A131

SAVED: 10/15/09 3:57 PM

G:\PROJECTS\MUNICIPAL\1191-00 - BEDFORD WATER TREATMENT\1191-00 DRAWINGS\1191-00\_09\_1012\_CONSTRUCTION DRAWINGS WORKING SET\1191-00\_ACTIVE\_A601\_SCHEDULES AND DETAILS.DWG



NORTH ELEVATION  
SCALE 1/8" = 1'-0"



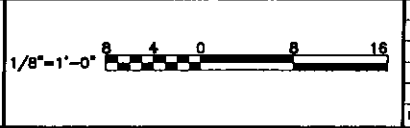
SOUTH ELEVATION  
SCALE 1/8" = 1'-0"



THIS IS A VIOLATION OF LAW FOR ANY PERSON, UNLESS ACTING UNDER THE DIRECTION OF A LICENSED ENGINEER, TO ALTER THIS DOCUMENT.

THIS DRAWING WAS PREPARED AT THE SCALE INDICATED IN THE TITLE BLOCK. INACCURACIES IN THE STATED SCALE MAY BE INTRODUCED WHEN DRAWINGS ARE REPRODUCED BY ANY MEANS. USE THE GRAPHIC SCALE BAR IN THE TITLE BLOCK TO DETERMINE THE ACTUAL SCALE OF THIS DRAWING.

IN CHARGE OF \_\_\_\_\_  
DESIGNED BY \_\_\_\_\_ CHECKED BY \_\_\_\_\_  
DRAWN BY \_\_\_\_\_



NO.	DATE	REVISION	INIT.
0	10/19/09	ISSUED FOR BID	

**Lothrop associates architects**  
200 Summit Lake Drive, Valhalla, N.Y 10595 914 741-1115

TOWN OF BEDFORD  
WATER FILTRATION PLANT &  
CONNECTION TO THE DELAWARE  
AQUEDUCT AT SHAFT #13  
BEDFORD, NEW YORK

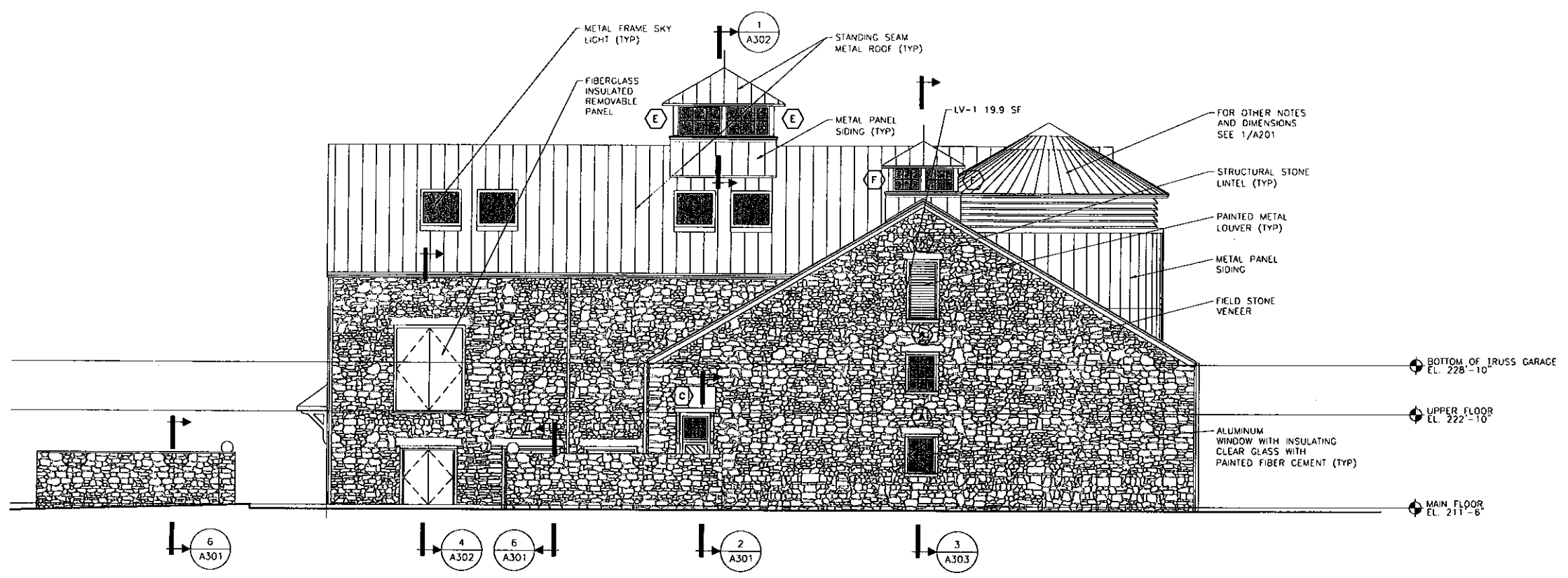
ARCHITECTURAL  
NORTH AND SOUTH  
EXTERIOR ELEVATIONS

FILE NO.  
1191-00  
DATE  
OCTOBER 2009

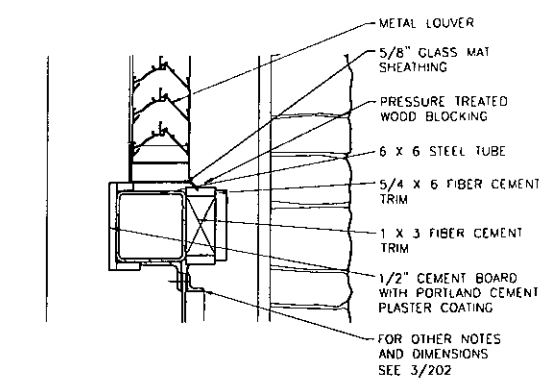
A201

SAVED: 10/15/09 3:57 PM

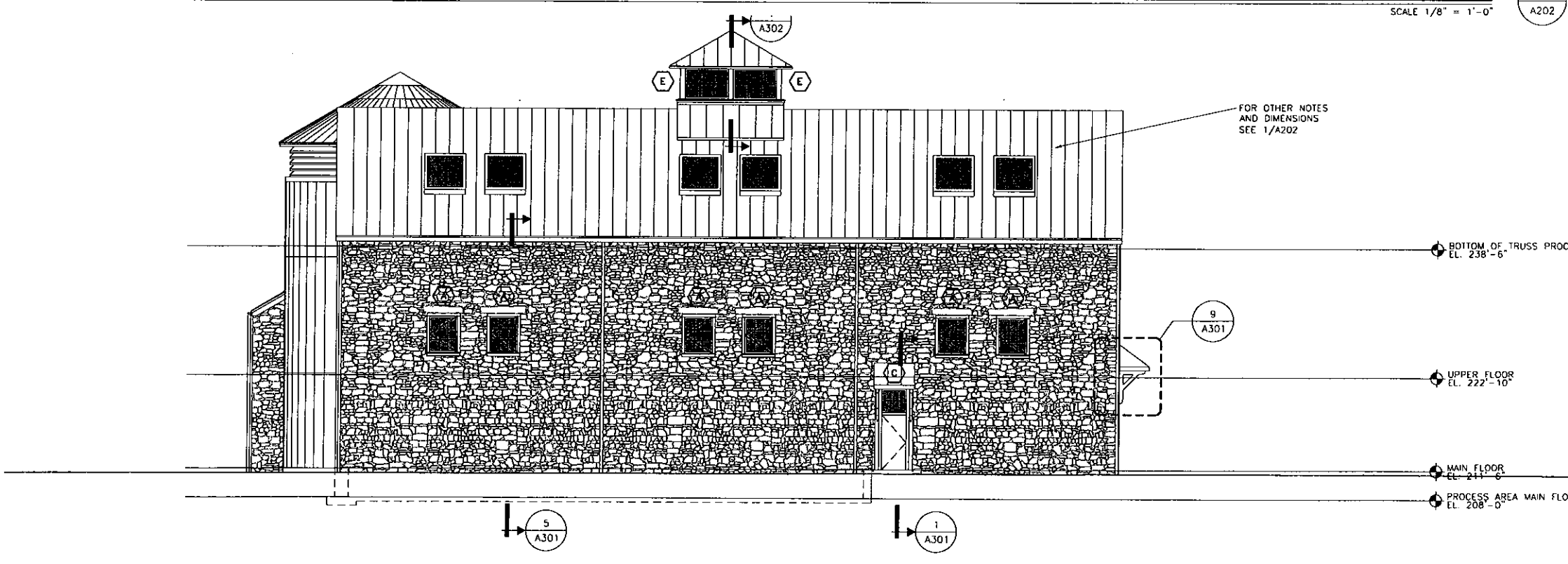
C:\PROJECTS\MUNICIPAL\1191-00 DRAWINGS\1191-00\_09\_1012\_CONSTRUCTION DRAWINGS WORKING SET\1191-00\_ACTIVE\_A601\_SCHEDULES AND DETAILS.DWG



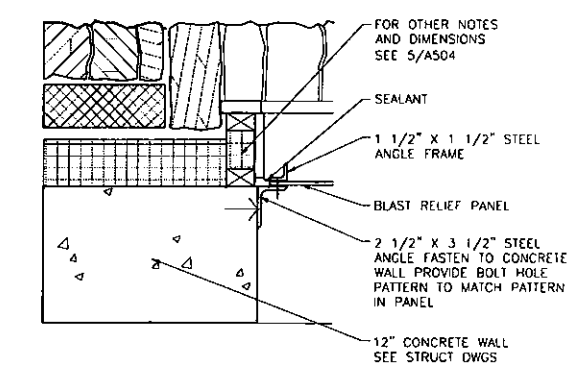
**EAST ELEVATION**  
SCALE 1/8" = 1'-0"



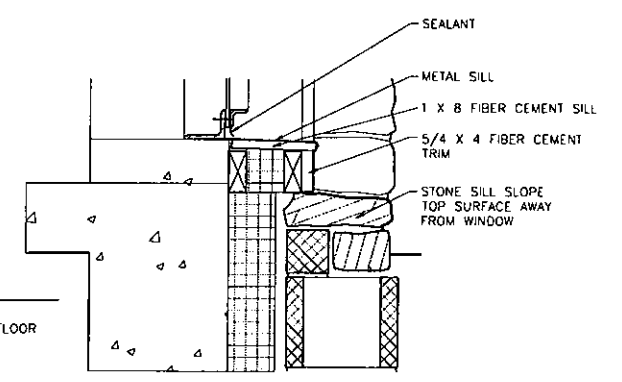
**EXPLOSION RELIEF PANEL HEAD DETAIL**  
SCALE 1 1/2" = 1'-0"



**WEST ELEVATION**  
SCALE 1/8" = 1'-0"



**EXPLOSION RELIEF PANEL JAMB DETAIL**  
SCALE 1 1/2" = 1'-0"



**EXPLOSION RELIEF PANEL SILL DETAIL**  
SCALE 1 1/2" = 1'-0"



IT IS A VIOLATION OF LAW FOR ANY PERSON, UNLESS ACTING UNDER THE DIRECTION OF A LICENSED ENGINEER, TO ALTER THIS DOCUMENT.

THIS DRAWING WAS PREPARED AT THE SCALE INDICATED IN THE TITLE BLOCK. INACCURACIES IN THE STATED SCALE MAY BE INTRODUCED WHEN DRAWINGS ARE REPRODUCED BY ANY MEANS. USE THE GRAPHIC SCALE BAR IN THE TITLE BLOCK TO DETERMINE THE ACTUAL SCALE OF THIS DRAWING.

IN CHARGE OF \_\_\_\_\_  
DESIGNED BY \_\_\_\_\_ CHECKED BY \_\_\_\_\_  
DRAWN BY \_\_\_\_\_



NO.	DATE	REVISION
0	10/19/09	ISSUED FOR BID

**Lothrop associates architects**  
200 Summit Lake Drive, Valhalla, NY 10595 914 741-1116

TOWN OF BEDFORD  
WATER FILTRATION PLANT &  
CONNECTION TO THE DELAWARE  
AQUEDUCT AT SHAFT #13  
BEDFORD, NEW YORK

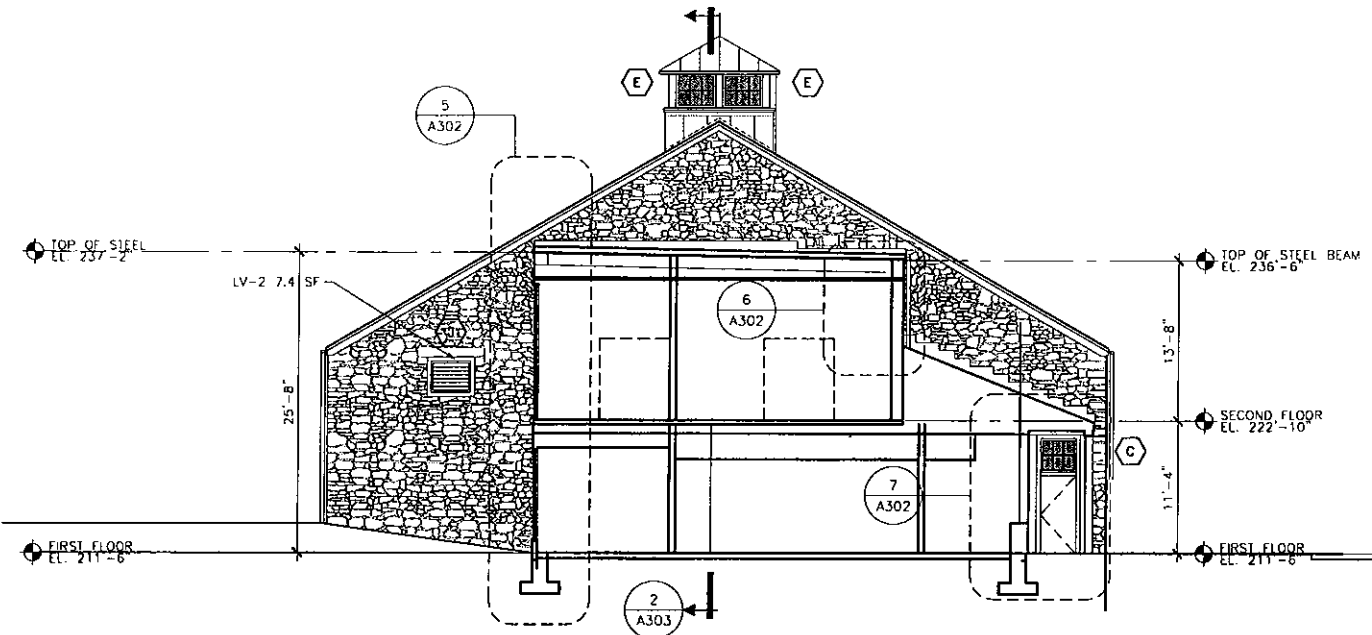
ARCHITECTURAL  
**EAST AND WEST  
EXTERIOR ELEVATIONS**

FILE NO.  
1191-00  
DATE  
OCTOBER 2009

**A202**

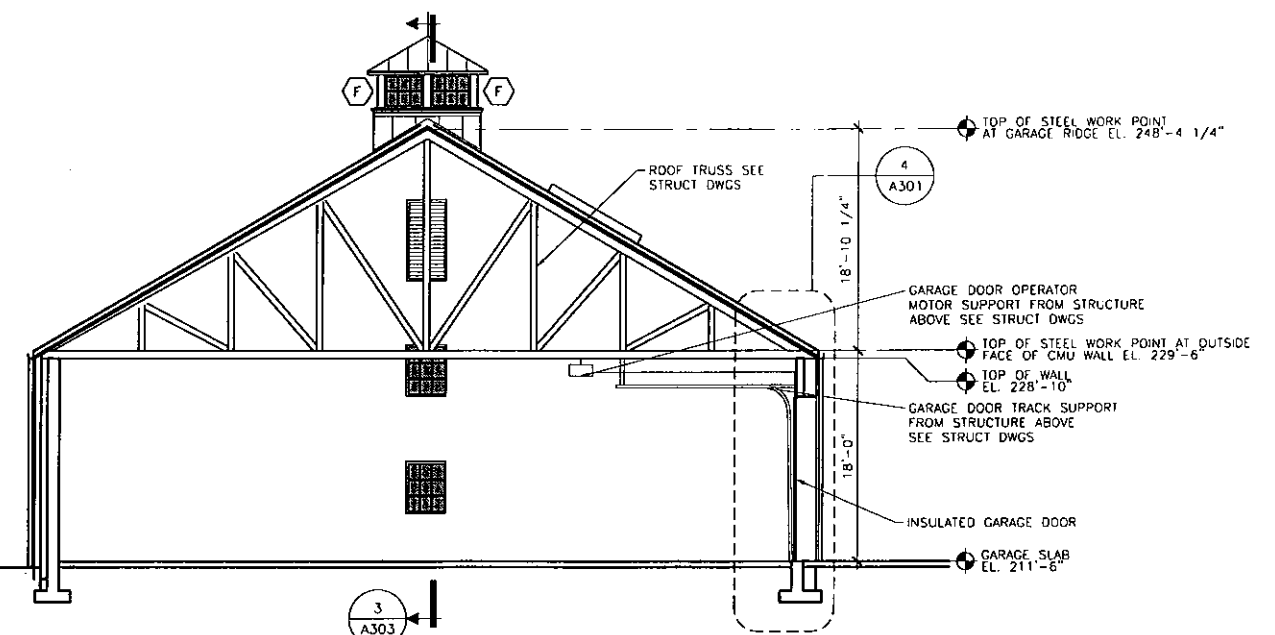
SAVED: 10/15/09 3:57 PM

G:\PROJECTS\MUNICIPAL\1191-00 - BEDFORD WATER TREATMENT\1191-00 DRAWINGS\1191-00\_09\_1012\_CONSTRUCTION DRAWINGS WORKING SET\1191-00\_ACTIVE\_A601\_SCHEDULES AND DETAILS.DWG



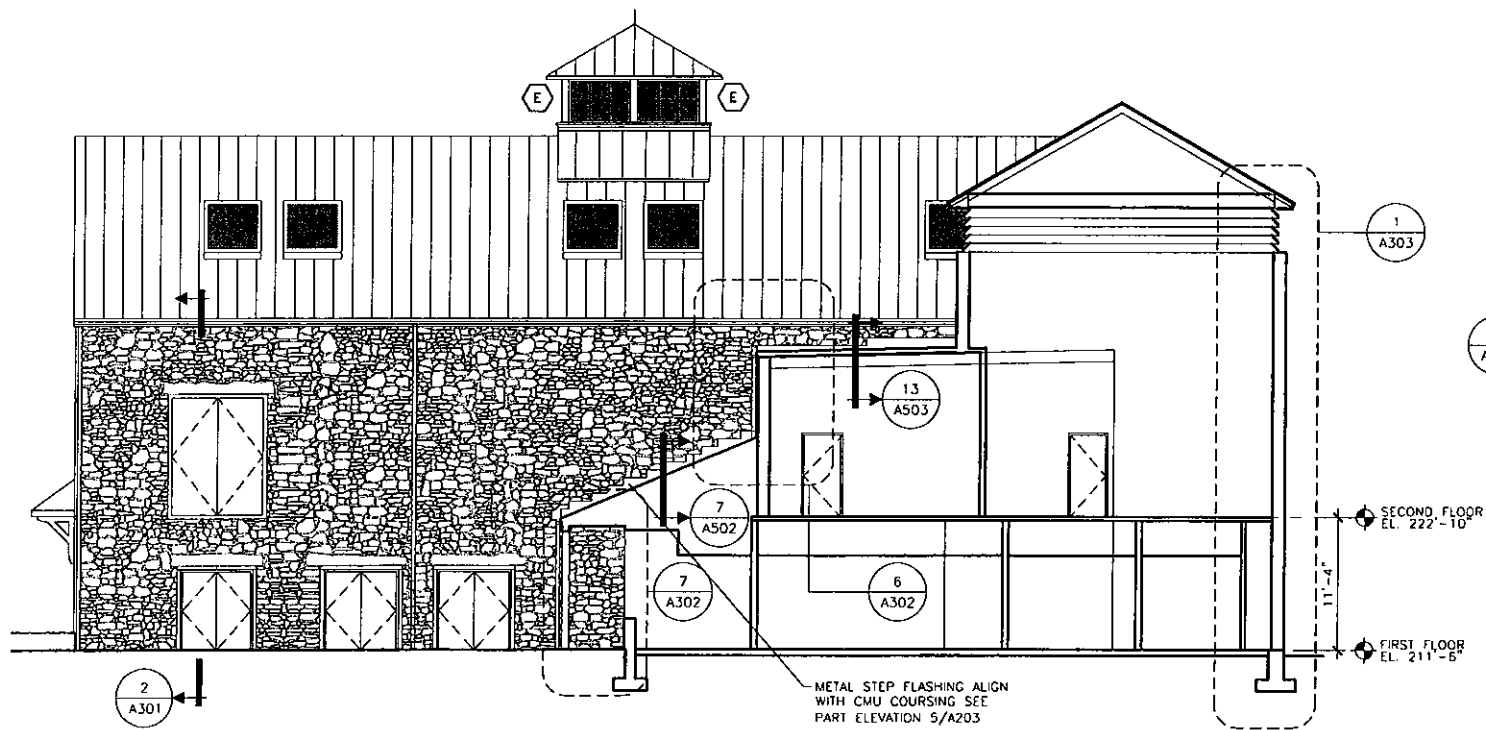
OFFICE AREA CROSS SECTION  
SCALE 1/8" = 1'-0"

1  
203



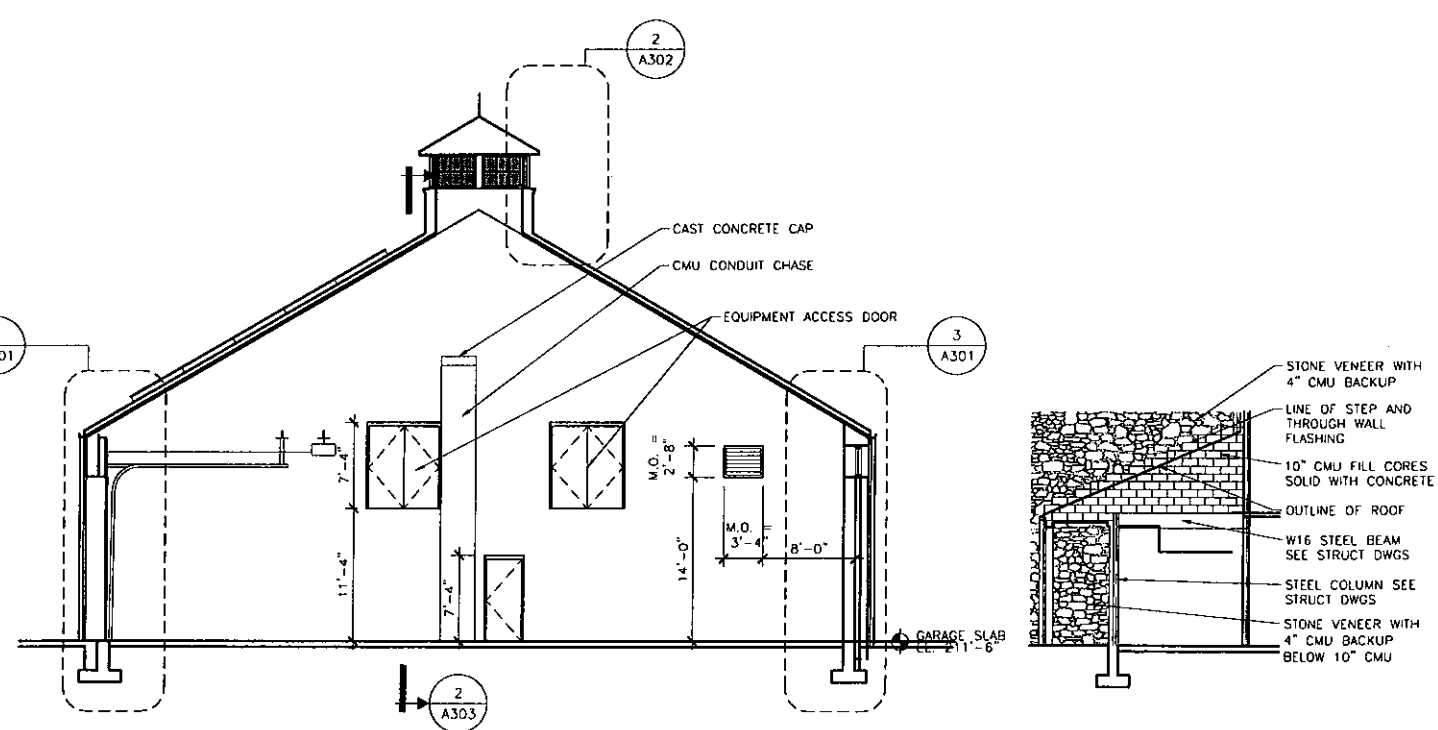
GARAGE CROSS SECTION LOOKING EAST  
SCALE 1/8" = 1'-0"

2  
203



CROSS SECTION AT SILO  
SCALE 1/8" = 1'-0"

3  
203



GARAGE CROSS SECTION LOOKING WEST  
SCALE 1/8" = 1'-0"

4  
203

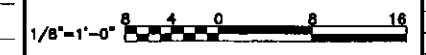
LOW ROOF END WALL SECTION  
SCALE 1/8" = 1'-0"

5  
203



THIS DRAWING IS A VIOLATION OF LAW FOR ANY PERSON, UNLESS ACTING UNDER THE DIRECTION OF A LICENSED ENGINEER, TO ALTER THIS DOCUMENT.

IN CHARGE OF \_\_\_\_\_  
DESIGNED BY \_\_\_\_\_ CHECKED BY \_\_\_\_\_  
DRAWN BY \_\_\_\_\_



NO.	DATE	REVISION	INIT.
0	10/19/09	ISSUED FOR BID	

**Lothrop associates architects**  
200 Summit Lake Drive, Valhalla, N.Y 10595 914 741-1115

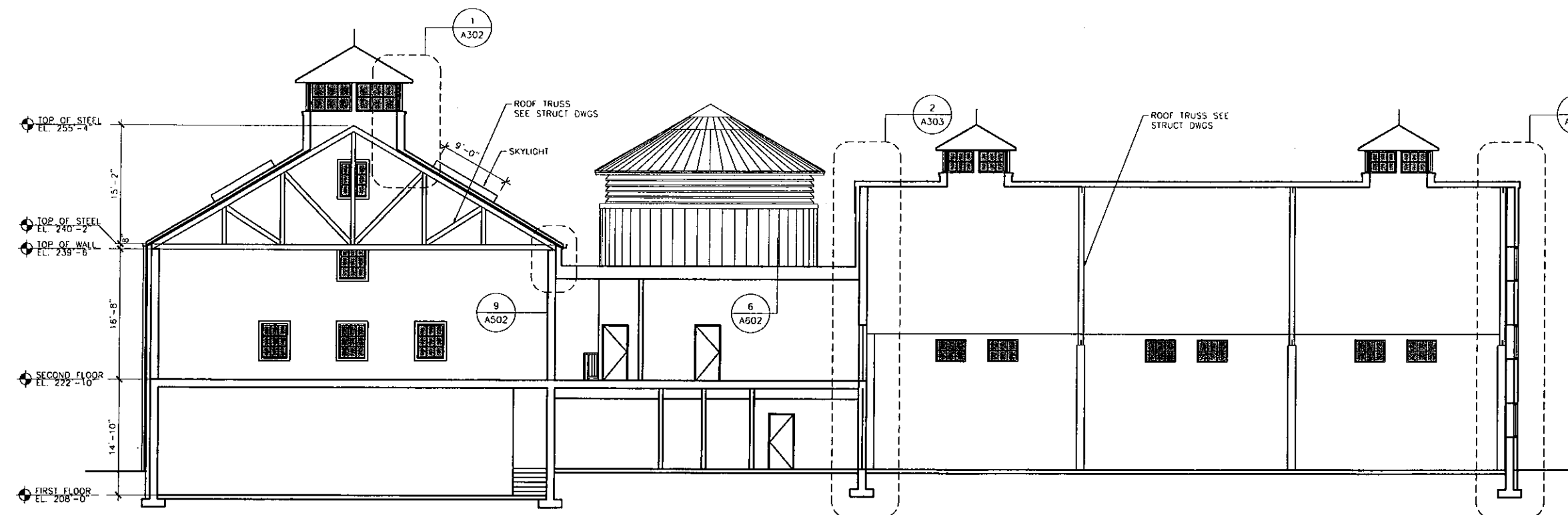
TOWN OF BEDFORD  
WATER FILTRATION PLANT &  
CONNECTION TO THE DELAWARE  
AQUEDUCT AT SHAFT #13  
BEDFORD, NEW YORK

ARCHITECTURAL  
**CROSS BUILDING SECTIONS**

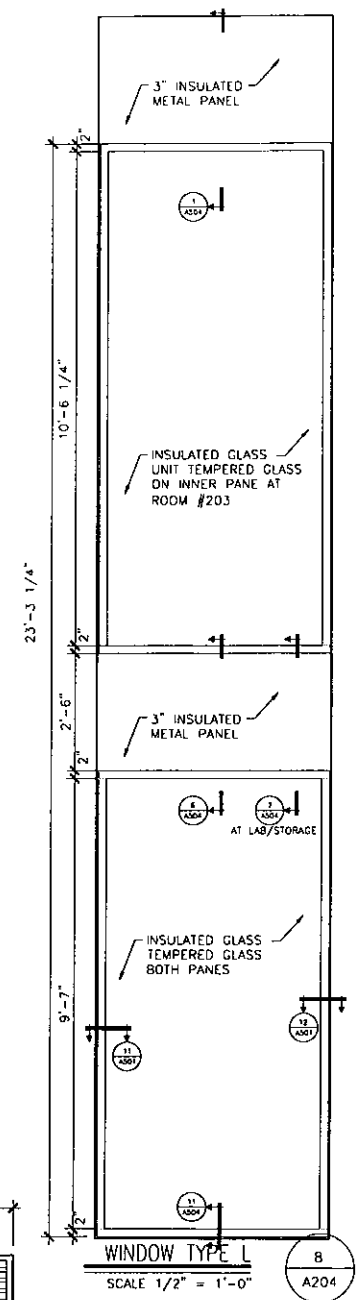
FILE NO.  
1191-00  
DATE  
OCTOBER 2009

A203

C:\PROJECTS\MUNICIPAL\1191-00 DRAWINGS\1191-00\_08\_1012\_CONSTRUCTION DRAWINGS WORKING SET\1191-00\_ACTIVE - ELEVATIONS.DWG  
 C:\PROJECTS\MUNICIPAL\1191-00 - BEDFORD WATER TREATMENT\1191-00 DRAWINGS\1191-00\_08\_1012\_CONSTRUCTION DRAWINGS WORKING SET\1191-00\_ACTIVE - ELEVATIONS.DWG  
 10/15/09 3:59 PM

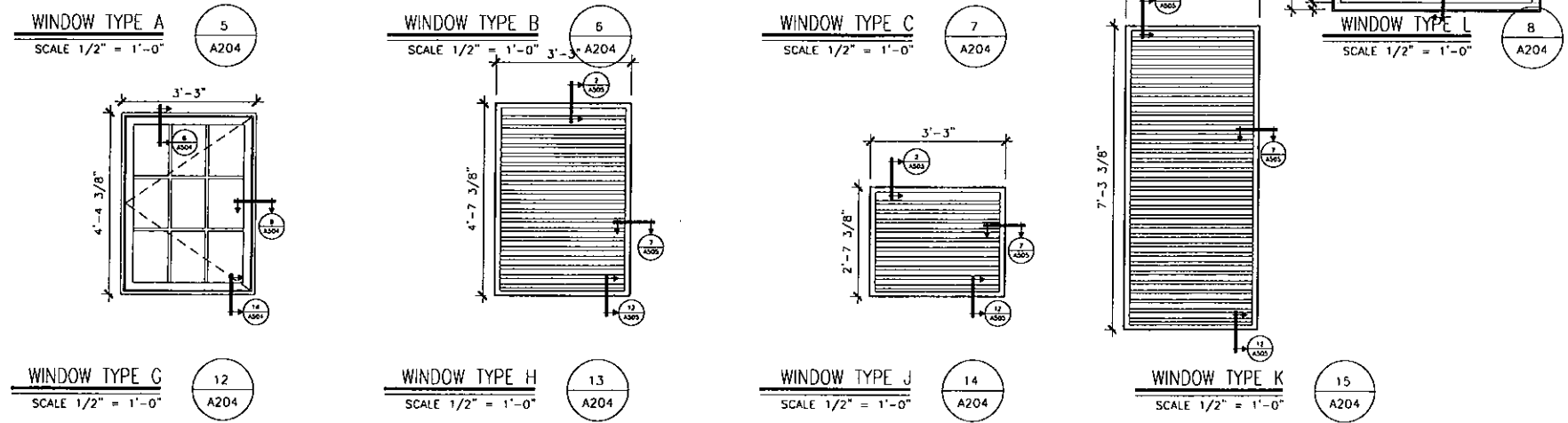
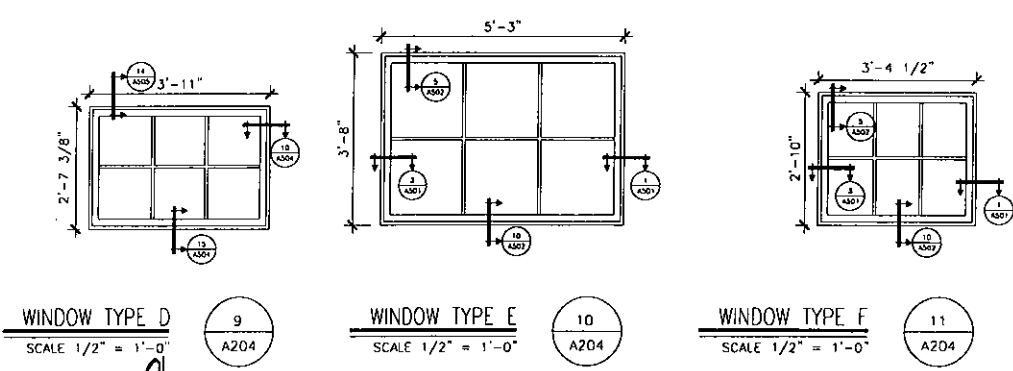


LONGITUDINAL BUILDING SECTION  
 SCALE 1/8" = 1'-0"



WINDOW AND LOUVER SCHEDULE							
UNIT TYPE	QUANTITY	TYPE	DETAIL	FRAME MATERIAL	UNIT SIZE WIDTH HEIGHT	MODEL NUMBER	NOTES
A	16	CASEMENT	5	ALUM.	3'-3" 4'-7 3/8"	EFCO 2900	9 LITES INSULATED (FIXED 3 LOCATIONS)
B	11	FIXED	6	ALUM.	3'-3" 2'-7 3/8"	EFCO 2900	6 LITES INSULATED
C	4	FIXED	7	ALUM.	3'-0" 2'-7 3/8"	EFCO 2900	6 LITES INSULATED
D	6	FIXED	9	ALUM.	3'-11" 2'-7 3/8"	EFCO 2900	6 LITES INSULATED
E	8	FIXED	10	ALUM.	5'-3" 3'-9"	EFCO 2900	6 LITES INSULATED GLAZING
F	16	FIXED	11	ALUM.	3'-4 1/2" 2'-11"	EFCO 2900	6 LITES INSULATED GLAZING
G	4	CASEMENT	12	ALUM.	3'-3" 4'-4 3/8"	EFCO 2900	9 LITES INSULATED
H	2	LOUVER	13	ALUM.	3'-3" 4'-7 3/8"	CS 5300	BIRD SCREEN
J	4	LOUVER	14	ALUM.	3'-3" 2'-7 3/8"	CS 5300	BIRD SCREEN
K	1	LOUVER	15	ALUM.	3'-3" 2'-7 3/8"	CS 5300	BIRD SCREEN
L	2	FIXED	8	ALUM.	5'-0 1/2" 2'-7 3/8"	EFCO 5600	CURTAIN WALL HORIZONTAL MULLIONS BEARING
M	1	LOUVER	--	ALUM.	3'-3" 2'-7 3/8"	CS 5300	360 DEGREE CURVED BLADES BIRD SCREEN

WINDOW SCHEDULE  
 SCALE N.T.S.



IT IS A VIOLATION OF LAW FOR ANY PERSON, UNLESS ACTING UNDER THE DIRECTION OF A LICENSED ENGINEER, TO ALTER THIS DOCUMENT.  
 THIS DRAWING WAS PREPARED AT THE SCALE INDICATED IN THE TITLE BLOCK. INACCURACIES IN THE STATED SCALE MAY BE INTRODUCED WHEN DRAWINGS ARE REPRODUCED BY ANY MEANS. USE THE GRAPHIC SCALE BAR IN THE TITLE BLOCK TO DETERMINE THE ACTUAL SCALE OF THIS DRAWING.

IN CHARGE OF \_\_\_\_\_  
 DESIGNED BY \_\_\_\_\_ CHECKED BY \_\_\_\_\_  
 DRAWN BY \_\_\_\_\_

1/8" = 1'-0"	0	4	8	16
NO.	DATE	REVISION	INIT.	
0	10/19/09	ISSUED FOR BID		

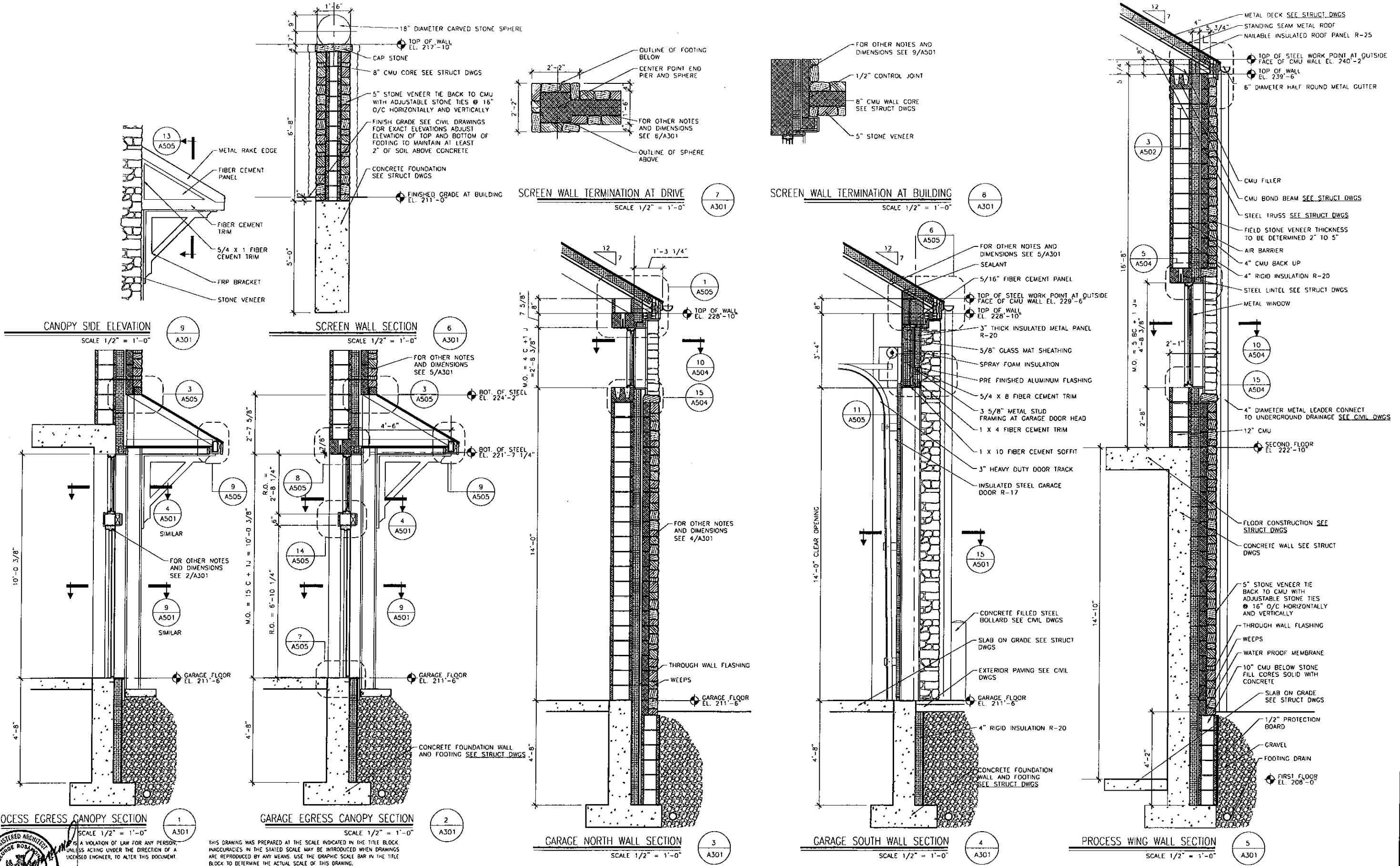
**Lothrop associates architects**  
 200 Summit Lake Drive, Valhalla, NY 10595 914 741-1115

TOWN OF BEDFORD  
 WATER FILTRATION PLANT &  
 CONNECTION TO THE DELAWARE  
 AQUEDUCT AT SHAFT #13  
 BEDFORD, NEW YORK

ARCHITECTURAL  
 LONGITUDINAL  
 BUILDING SECTION

FILE NO.  
 1191-00  
 DATE  
 OCTOBER 2009  
 A204

G:\PROJECTS\MUNICIPAL\1191-00 - BEDFORD WATER TREATMENT\1191-00\_09\_1012\_CONSTRUCTION DRAWINGS WORKING SET\1191-00\_ACTIVE - ELEVATIONS.DWG  
 10/15/09 3:59 PM



IN CHARGE OF \_\_\_\_\_  
 DESIGNED BY \_\_\_\_\_ CHECKED BY \_\_\_\_\_  
 DRAWN BY \_\_\_\_\_

THIS DRAWING WAS PREPARED AT THE SCALE INDICATED IN THE TITLE BLOCK. INACCURACIES IN THE STATED SCALE MAY BE INTRODUCED WHEN DRAWINGS ARE REPRODUCED BY ANY MEANS. USE THE GRAPHIC SCALE BAR IN THE TITLE BLOCK TO DETERMINE THE ACTUAL SCALE OF THIS DRAWING.

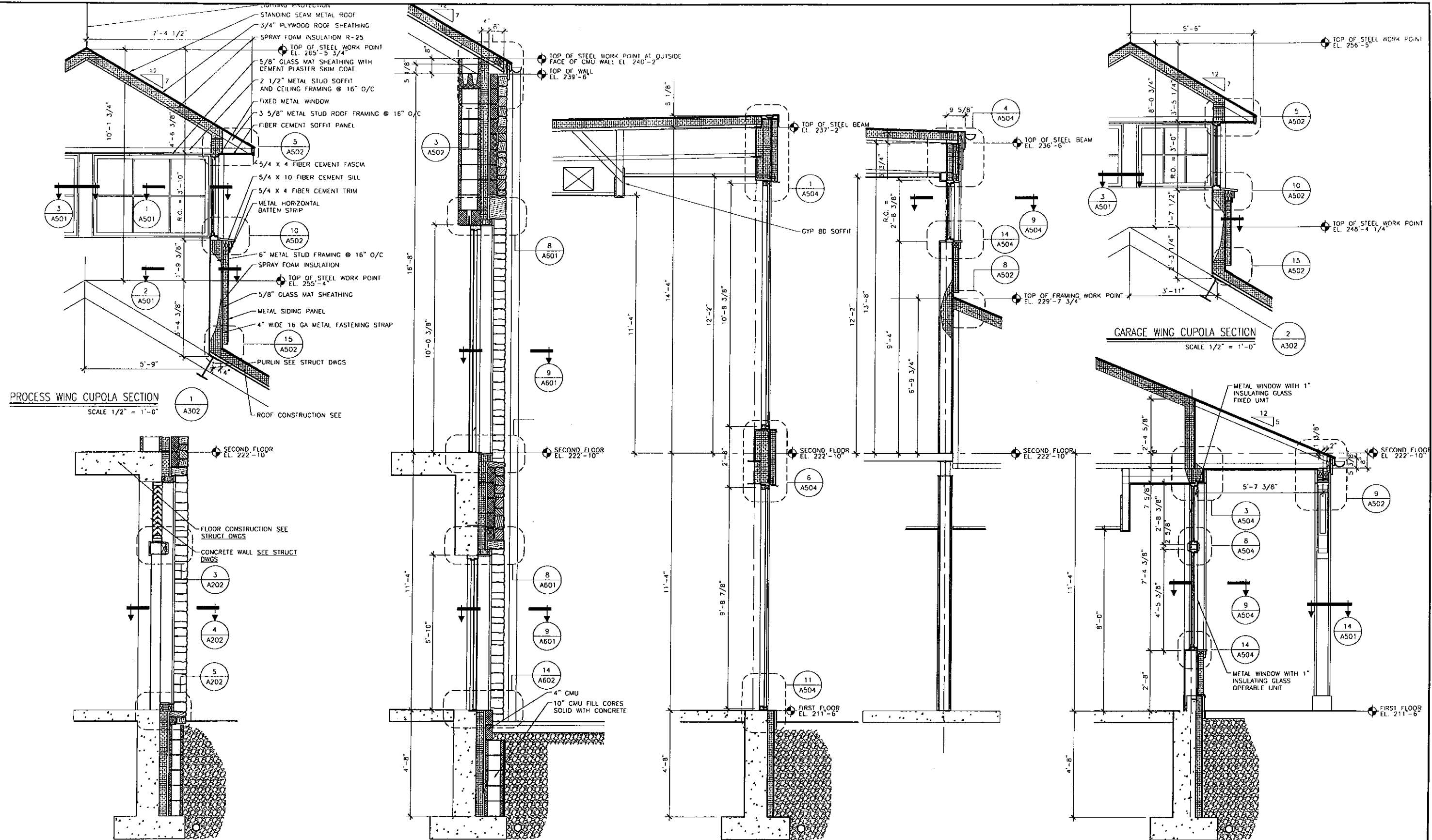
NO.	DATE	REVISION	INIT.
0	10/19/09	ISSUED FOR BID	

**Lothrop associates architects**  
 200 Summit Lake Drive, Valhalla, NY 10595 914 741-1115

TOWN OF BEDFORD  
 WATER FILTRATION PLANT &  
 CONNECTION TO THE DELAWARE  
 AQUEDUCT AT SHAFT #13  
 BEDFORD, NEW YORK

ARCHITECTURAL  
**WALL SECTIONS**  
 FILE NO. 1191-00  
 DATE OCTOBER 2009  
**A301**

C:\PROJECTS\MUNICIPAL\1191-00 - BEDFORD WATER TREATMENT\1191-00 DRAWINGS\1191-00\_09\_1012\_CONSTRUCTION DRAWINGS WORKING SET\1191-00\_ACTIVE - ELEVATIONS.DWG  
 10/15/09 3:59 PM



IN CHARGE OF \_\_\_\_\_  
 DESIGNED BY \_\_\_\_\_ CHECKED BY \_\_\_\_\_  
 DRAWN BY \_\_\_\_\_

THIS DRAWING WAS PREPARED AT THE SCALE INDICATED IN THE TITLE BLOCK. INACCURACIES IN THE STATED SCALE MAY BE INTRODUCED WHEN DRAWINGS ARE REPRODUCED BY ANY MEANS. USE THE GRAPHIC SCALE BAR IN THE TITLE BLOCK TO DETERMINE THE ACTUAL SCALE OF THIS DRAWING.

NO.	DATE	REVISION	INIT.
0	10/19/09	ISSUED FOR BID	

**Lothrop associates architects**  
 200 Summit Lake Drive, Valhalla, N.Y. 10595 914 741-1116

TOWN OF BEDFORD  
 WATER FILTRATION PLANT &  
 CONNECTION TO THE DELAWARE  
 AQUEDUCT AT SHAFT #13  
 BEDFORD, NEW YORK

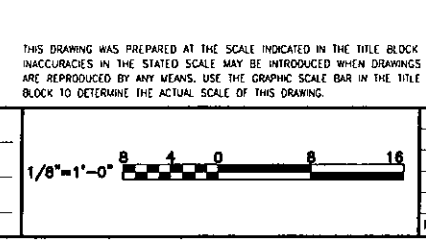
ARCHITECTURAL  
**WALL SECTIONS**

FILE NO. 1191-00  
 DATE OCTOBER 2009  
**A302**



THIS DRAWING IS A VIOLATION OF LAW FOR ANY PERSON, UNLESS ACTING UNDER THE DIRECTION OF A LICENSED ENGINEER, TO ALTER THIS DOCUMENT.

IN CHARGE OF \_\_\_\_\_  
 DESIGNED BY \_\_\_\_\_ CHECKED BY \_\_\_\_\_  
 DRAWN BY \_\_\_\_\_



NO.	DATE	REVISION	INIT.
0	10/19/09	ISSUED FOR BID	

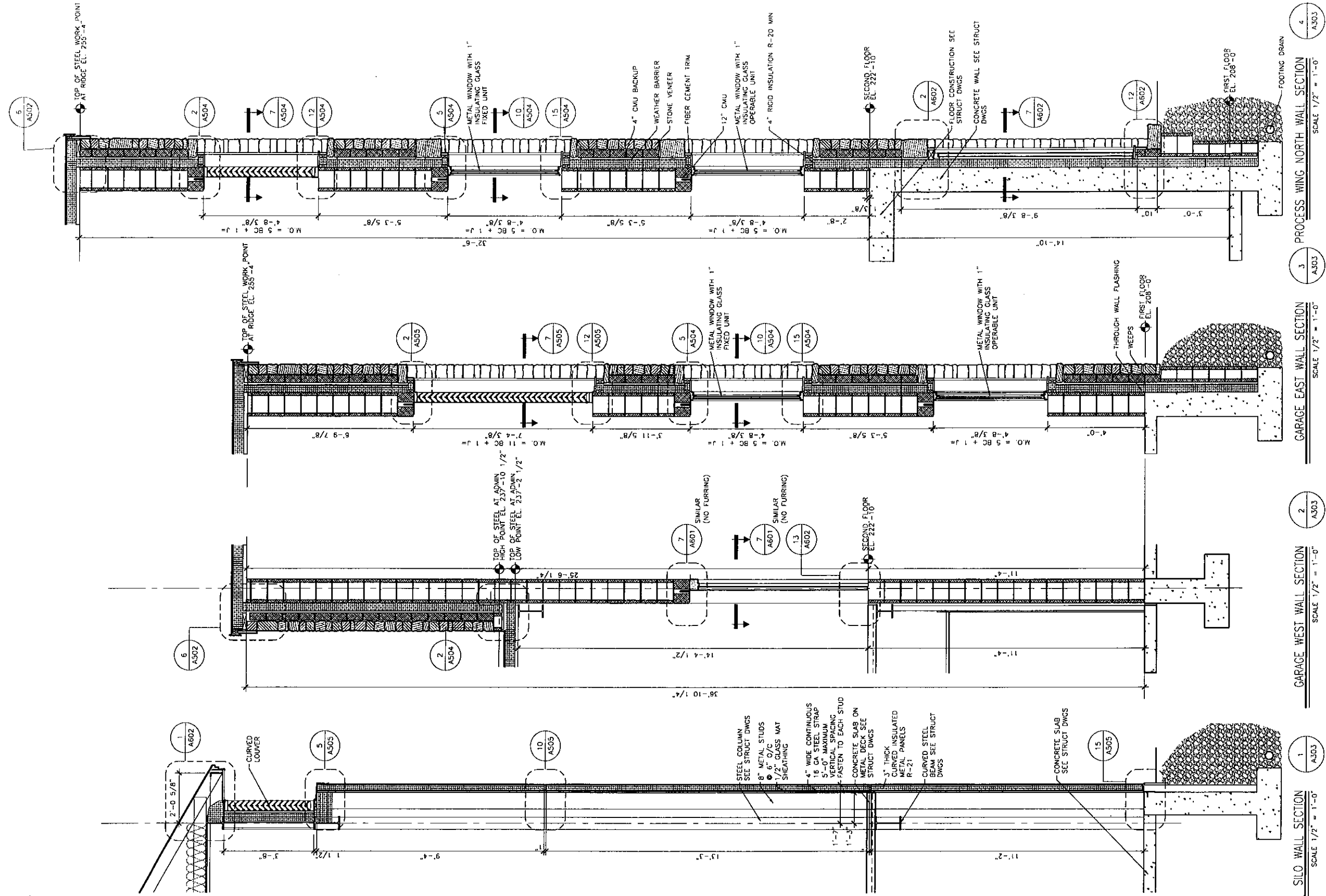
**Lothrop associates architects**  
 200 Summit Lake Drive, Valhalla, N.Y 10595 914 741-1116

TOWN OF BEDFORD  
 WATER FILTRATION PLANT &  
 CONNECTION TO THE DELAWARE  
 AQUEDUCT AT SHAFT #13  
 BEDFORD, NEW YORK

ARCHITECTURAL  
**WALL SECTIONS**

FILE NO. 1191-00  
 DATE OCTOBER 2009

A303



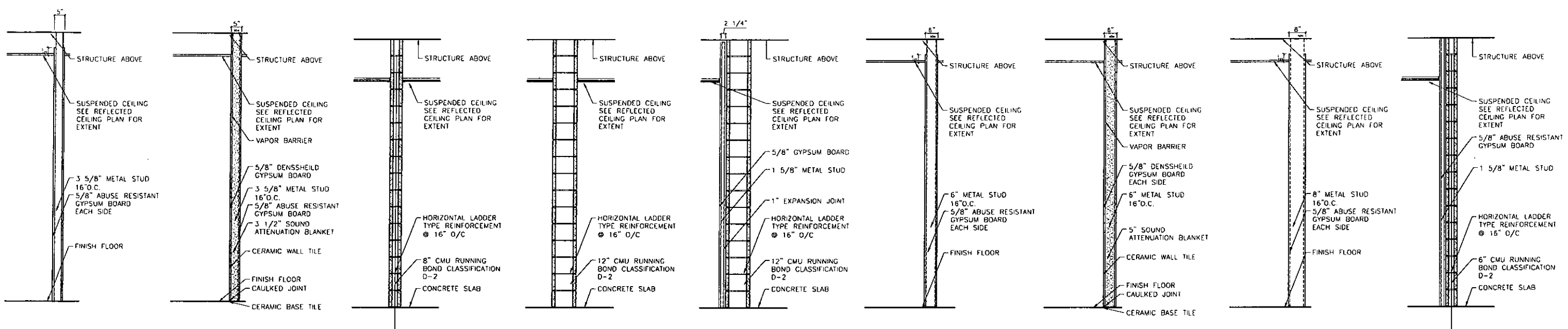
1 SILO WALL SECTION SCALE 1/2" = 1'-0" A303

2 GARAGE WEST WALL SECTION SCALE 1/2" = 1'-0" A303

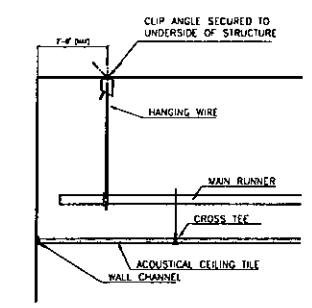
3 GARAGE EAST WALL SECTION SCALE 1/2" = 1'-0" A303

4 PROCESS WING NORTH WALL SECTION SCALE 1/2" = 1'-0" A303

G:\PROJECTS\MUNICIPAL\1191-00 - BEDFORD WATER TREATMENT\1191-00 DRAWINGS\1191-00\_09\_1012\_CONSTRUCTION DRAWINGS WORKING SET\1191-00\_ACTIVE\_A400\_A403\_PARTITIONS - DETAILS.DWG  
 10/15/09 3:39 PM

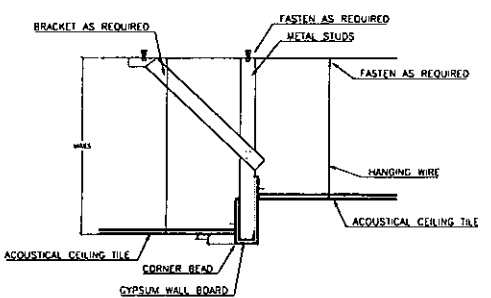


**PARTITION TYPE 1** SCALE 1/2" = 1'-0" 4" STUD  
**PARTITION TYPE 1A** SCALE 1/2" = 1'-0" 4" STUD WITH TILE  
**PARTITION TYPE 2** SCALE 1/2" = 1'-0"  
**PARTITION TYPE 3** SCALE 1/2" = 1'-0"  
**PARTITION TYPE 3A** SCALE 1/2" = 1'-0" 12" CMU WITH GYPSUM BOARD  
**PARTITION TYPE 4** SCALE 1/2" = 1'-0" 6" METAL STUD  
**PARTITION TYPE 4A** SCALE 1/2" = 1'-0" 6" METAL STUD WITH TILE  
**PARTITION TYPE 5** SCALE 1/2" = 1'-0" 8" METAL STUD  
**PARTITION TYPE 6** SCALE 1/2" = 1'-0" 6" BLOCK W/ FURRING



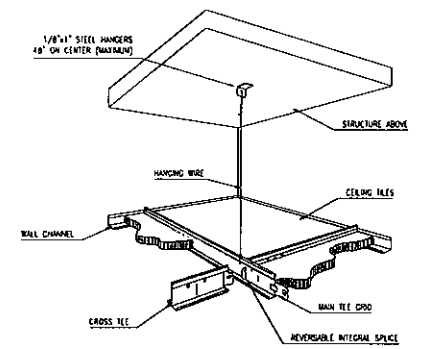
SEISMIC REINFORCEMENT TO BE PROVIDED AT ALL ACOUSTICAL HUNG CEILINGS REFERENCE APPLICABLE CODE.

**TYPICAL ACOUSTICAL CEILING DETAIL** 1 SCALE 1" = 1'-0" 400



GYPSUM BOARD TO EXTEND 6" ABOVE THE FINISHED CEILING

**SOFFIT DETAIL** 2 SCALE 1" = 1'-0" 400



**ACOUSTICAL CEILING DIAGRAM** 3 SCALE 1" = 1'-0" 400

1. RATED PARTITIONS ARE INDICATED AS FOLLOWS:

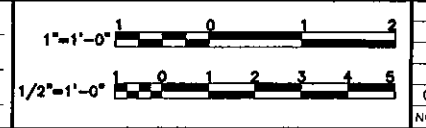
- ① 1 HR.
- 2. ALL DIMENSIONS ARE TO FINISH FACE OF PARTITION UNLESS OTHERWISE INDICATED
- 3. SEAL FIRE RATED AND SMOKE PARTITIONS AT UNDERSIDE OF STRUCTURE, FLOOR, PENETRATIONS, AND OPENINGS TO MAINTAIN FIRE RATING.
- 4. SEAL SOUND RATED PARTITIONS AT UNDERSIDE OF STRUCTURE, FLOOR, PENETRATIONS, AND OPENINGS TO MAINTAIN STC RATING.
- 5. PROVIDE DENSSHIELD AT SHOWER ROOM, TOILET ROOMS, JANITOR CLOSET AND OTHER WALLS SUBJECT TO DIRECT WATER EXPOSURE.
- 6. PROVIDE CONTINUOUS 16 GA. 6" WIDE METAL BACKER PLATES AT ALL CORRIDOR PARTITIONS AND ALL PARTITIONS WHICH WILL RECEIVE A GRAB BAR.
- 7. PROVIDE 16 GA. BACKER PLATE REINFORCING AS REQUIRED AT ALL WALL HUNG CABINETS AND EQUIPMENT.
- 8. PROVIDE BRACING AT ALL TOILET CHASES AND SIMILAR CONDITIONS
- 9. USE DENSSHIELD AS TILE BACKER IN ALL AREAS W/ TILE.



IT IS A VIOLATION OF LAW FOR ANY PERSON, UNLESS ACTING UNDER THE DIRECTION OF A LICENSED ENGINEER, TO ALTER THIS DOCUMENT.

THIS DRAWING WAS PREPARED AT THE SCALE INDICATED IN THE TITLE BLOCK. INACCURACIES IN THE STATED SCALE MAY BE INTRODUCED WHEN DRAWINGS ARE REPRODUCED BY ANY MEANS. USE THE GRAPHIC SCALE BAR IN THE TITLE BLOCK TO DETERMINE THE ACTUAL SCALE OF THIS DRAWING.

IN CHARGE OF \_\_\_\_\_  
 DESIGNED BY \_\_\_\_\_ CHECKED BY \_\_\_\_\_  
 DRAWN BY \_\_\_\_\_



NO.	DATE	REVISION	INIT.
0	10/19/09	ISSUED FOR BID	

**Lothrop associates architects**  
 200 Summ'r Lake Drive, Valhalla, N.Y. 10595 914 741-1115

TOWN OF BEDFORD  
 WATER FILTRATION PLANT &  
 CONNECTION TO THE DELAWARE  
 AQUEDUCT AT SHAFT #13  
 BEDFORD, NEW YORK

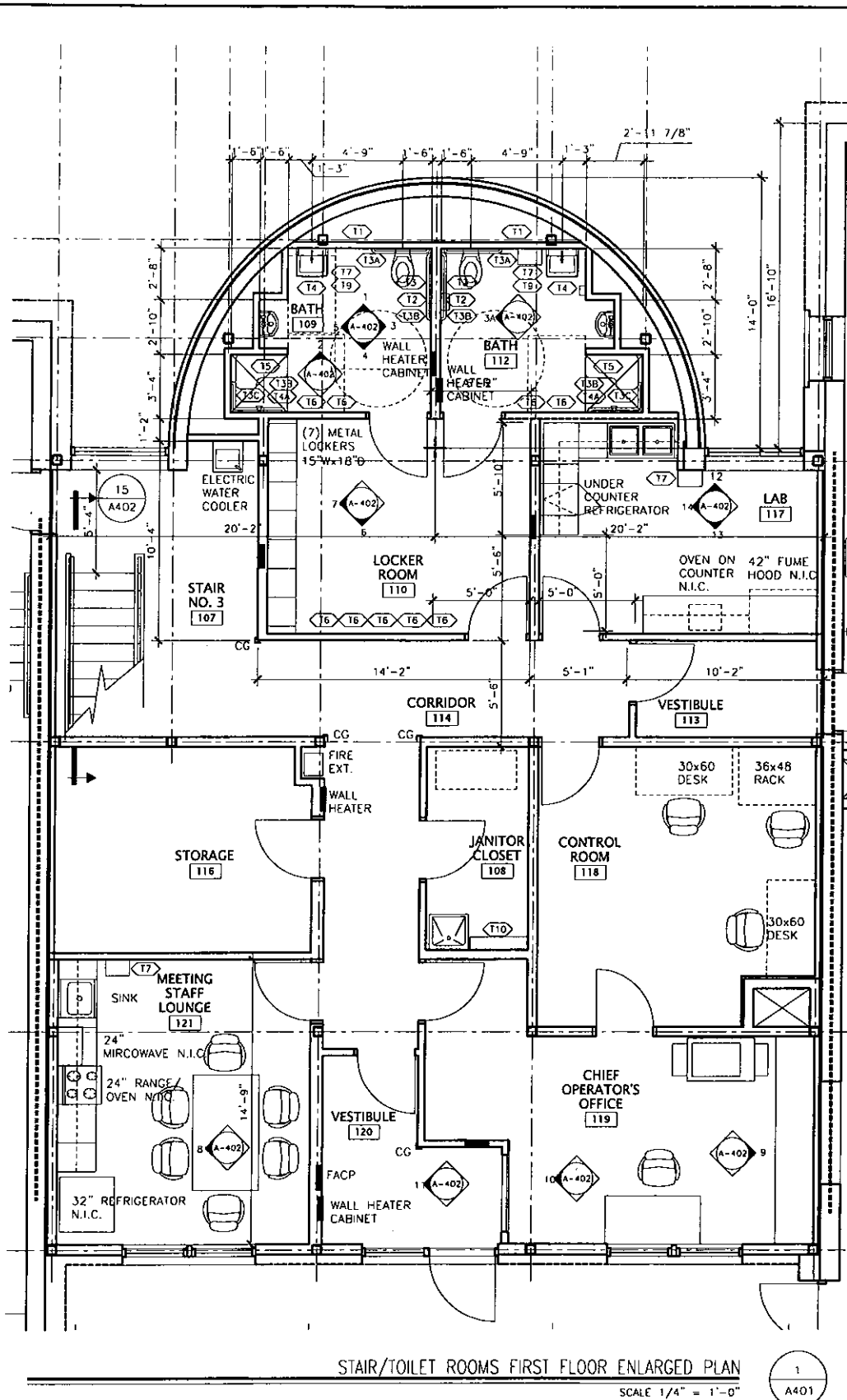
ARCHITECTURAL  
**PARTITION TYPES  
 CEILING DETAILS**

FILE NO.  
 1191-00  
 DATE  
 OCTOBER 2009

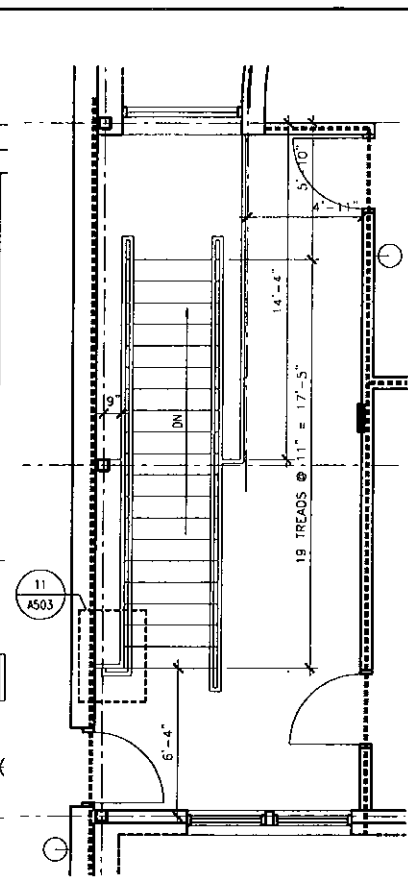
A400



G:\PROJECTS\MUNICIPAL\1191-00 - BEDFORD WATER TREATMENT\1191-00\_09\_1012\_CONSTRUCTION DRAWINGS WORKING SET\1191-00\_ACTIVE\_A01\_SCHEDULES AND DETAILS.DWG  
 SAVED: 10/15/09 3:57 PM

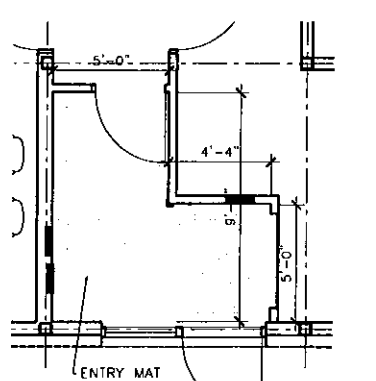


STAIR/TOILET ROOMS FIRST FLOOR ENLARGED PLAN  
SCALE 1/4" = 1'-0"

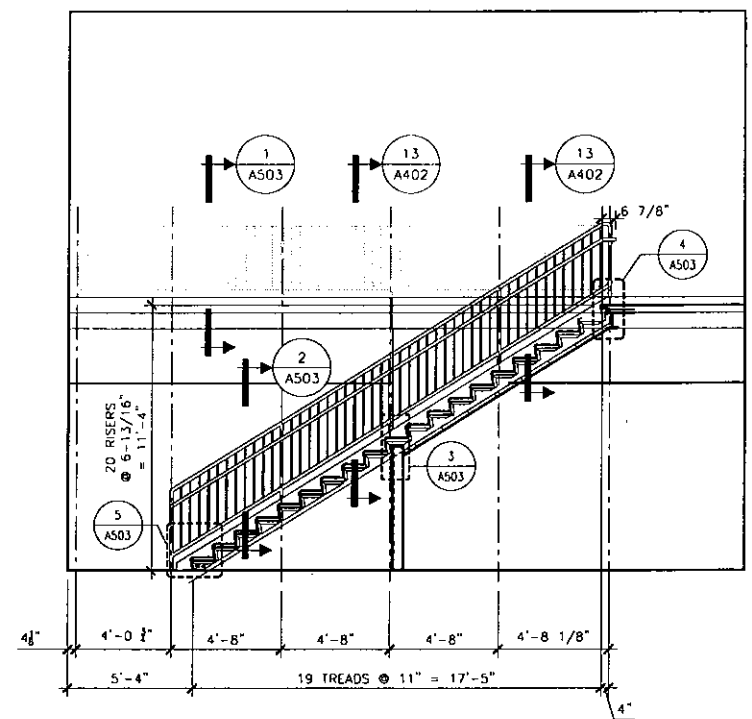


STAIR SECOND FLOOR ENLARGED PLAN  
SCALE 1/4" = 1'-0"

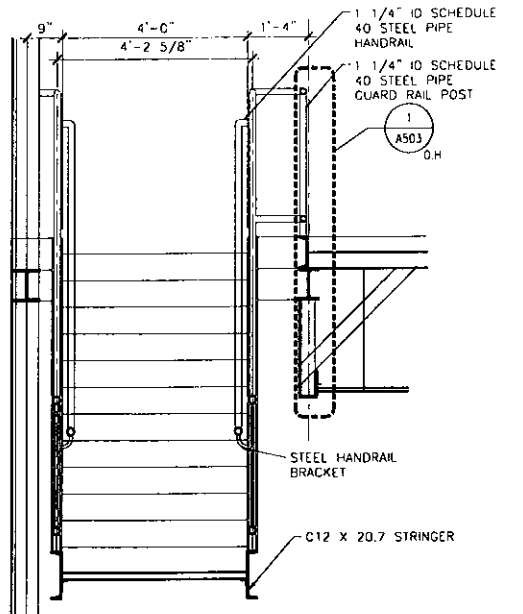
- TOILET ACCESSORIES:**
- T-1 MIRROR
  - T-2 TOILET TISSUE DISPENSER
  - T-3 GRAB BAR 42"
  - T-3A GRAB BAR 36"
  - T-3B GRAB BAR 18"
  - T-3C GRAB BAR COMB 18/36"
  - T-4 SOAP DISPENSER
  - T-4A SOAP DISPENSER
  - T-5 SHOWER SEAT
  - T-6 CLOTHES HOOK
  - T-7 PAPER TOWEL DISPENSER
  - T-8 CURTAIN ROD & CURTAIN
  - T-9 WASTE RECEPTACLE
  - T-10 UTILITY SHELF/MOP HOLDER



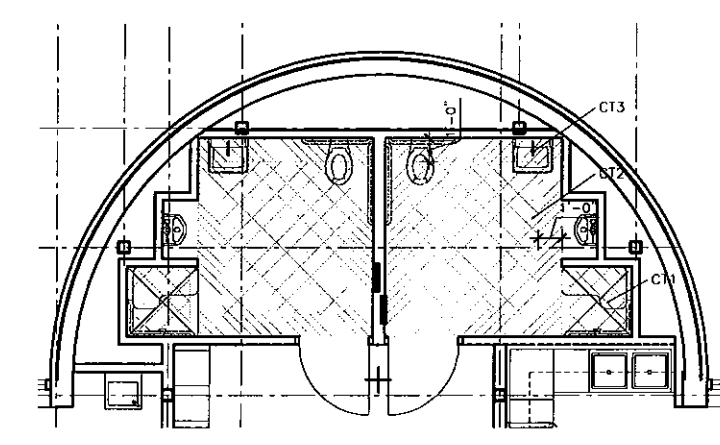
VESTIBULE 120 FINISH PLAN  
SCALE 1/4" = 1'-0"



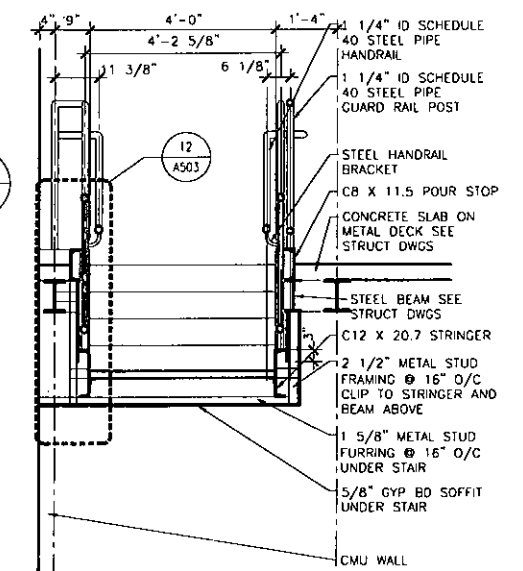
STAIR #3 SECTION  
SCALE 1/4" = 1'-0"



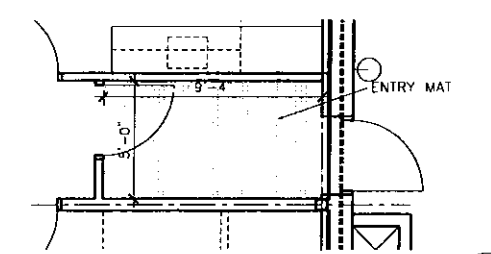
STAIR #3 LOWER CROSS SECTION  
SCALE 1/2" = 1'-0"



BATH FINISH PLAN  
SCALE 1/4" = 1'-0"



STAIR #3 UPPER CROSS SECTION  
SCALE 1/2" = 1'-0"



VESTIBULE 113 FINISH PLAN  
SCALE 1/4" = 1'-0"



IT IS A VIOLATION OF LAW FOR ANY PERSON, UNLESS ACTING UNDER THE DIRECTION OF A LICENSED ENGINEER, TO ALTER THIS DOCUMENT.

THIS DRAWING WAS PREPARED AT THE SCALE INDICATED IN THE TITLE BLOCK. INACCURACIES IN THE STATED SCALE MAY BE INTRODUCED WHEN DRAWINGS ARE REPRODUCED BY ANY MEANS. USE THE GRAPHIC SCALE BAR IN THE TITLE BLOCK TO DETERMINE THE ACTUAL SCALE OF THIS DRAWING.

IN CHARGE OF \_\_\_\_\_  
 DESIGNED BY \_\_\_\_\_ CHECKED BY \_\_\_\_\_  
 DRAWN BY \_\_\_\_\_



NO.	DATE	REVISION	INIT.
0	10/19/09	ISSUED FOR BID	

**Lothrop associates architects**

200 Summit Lake Drive, Valhalla, N.Y 10595 914 741-1115

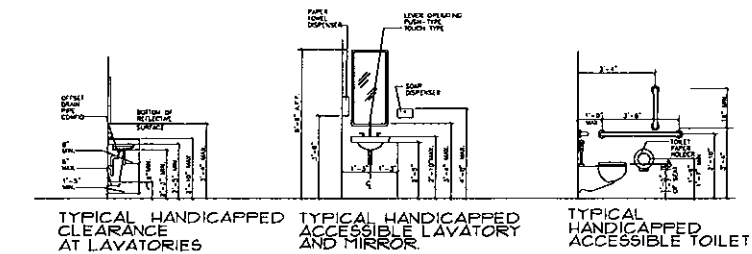
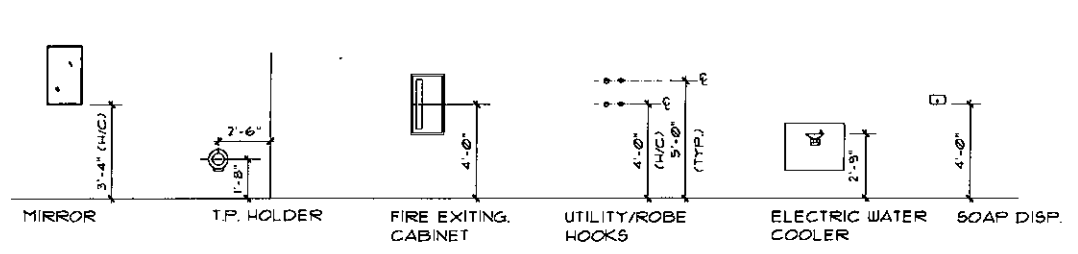
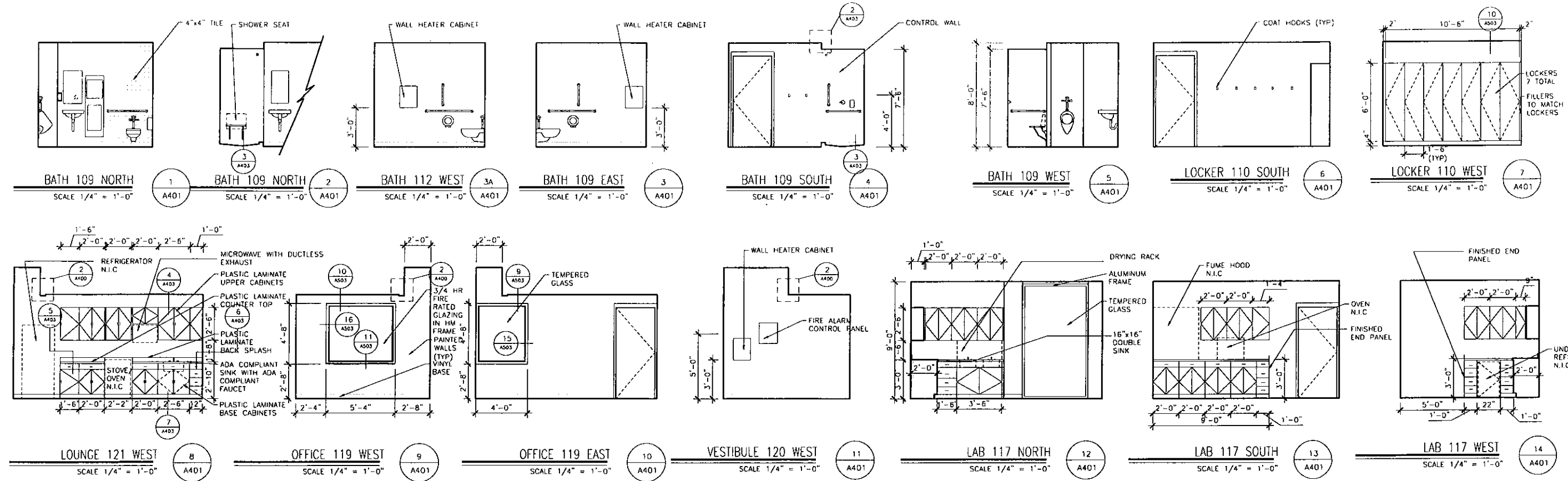
TOWN OF BEDFORD  
 WATER FILTRATION PLANT &  
 CONNECTION TO THE DELAWARE  
 AQUEDUCT AT SHAFT #13  
 BEDFORD, NEW YORK

ARCHITECTURAL  
 ENLARGED TOILET/STAIR PLANS  
 AND DETAILS

FILE NO.  
 1191-00  
 DATE  
 OCTOBER 2009

A401

C:\PROJECTS\MUNICIPAL\1191-00 - BEDFORD WATER TREATMENT\1191-00\_09\_1012\_CONSTRUCTION DRAWINGS WORKING SET\1191-00\_ACTIVE\_A402\_INTERIOR ELEVATIONS.DWG



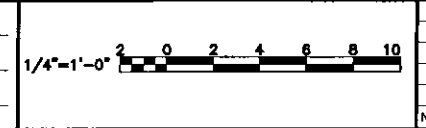
\* UNLESS OTHERWISE NOTED ON INTERIOR ELEVATIONS



THIS IS A VIOLATION OF LAW FOR ANY PERSON, UNLESS ACTING UNDER THE DIRECTION OF A LICENSED ENGINEER, TO ALTER THIS DOCUMENT.

THIS DRAWING WAS PREPARED AT THE SCALE INDICATED IN THE TITLE BLOCK. INACCURACIES IN THE STATED SCALE MAY BE INTRODUCED WHEN DRAWINGS ARE REPRODUCED BY ANY MEANS. USE THE GRAPHIC SCALE BAR IN THE TITLE BLOCK TO DETERMINE THE ACTUAL SCALE OF THIS DRAWING.

IN CHARGE OF \_\_\_\_\_  
 DESIGNED BY \_\_\_\_\_ CHECKED BY \_\_\_\_\_  
 DRAWN BY \_\_\_\_\_



NO.	DATE	REVISION	INIT.
0	10/19/09	ISSUED FOR BID	

**Lothrop associates architects**  
 200 Summit Lake Drive, Valhalla, N.Y. 10595 914 741-1115

TOWN OF BEDFORD  
 WATER FILTRATION PLANT &  
 CONNECTION TO THE DELAWARE  
 AQUEDUCT AT SHAFT #13  
 BEDFORD, NEW YORK

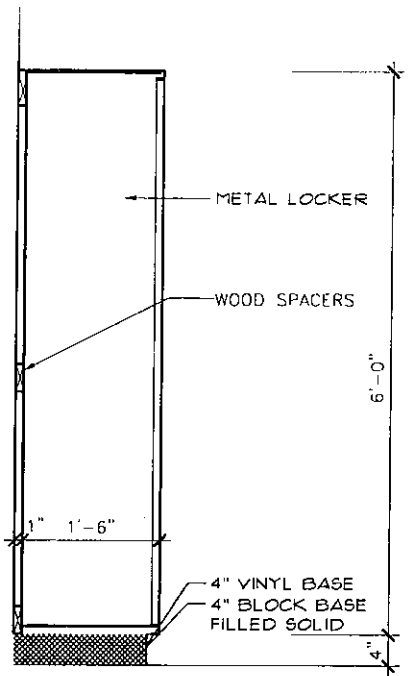
ARCHITECTURAL  
**INTERIOR ELEVATIONS**

FILE NO.  
 1191-00  
 DATE  
 OCTOBER 2009

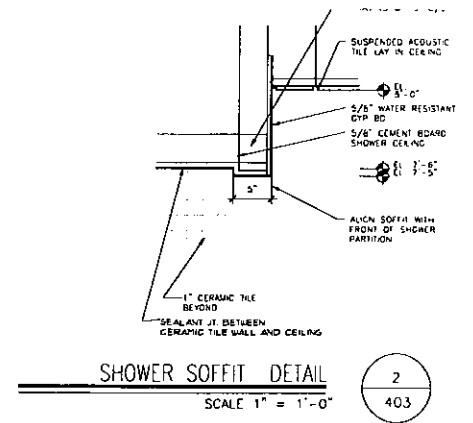
**A402**



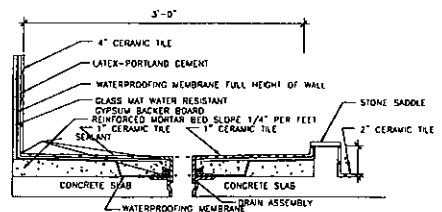
G:\PROJECTS\MUNICIPAL\1191-00 - BEDFORD WATER TREATMENT\1191-00\_DRAWINGS\1191-00\_09\_1012.CONSTRUCTION DRAWINGS WORKING SET\1191-00\_ACTIVE\_A400\_A403\_PARTITIONS - DETAILS.DWG  
 10/15/09 3:39 PM



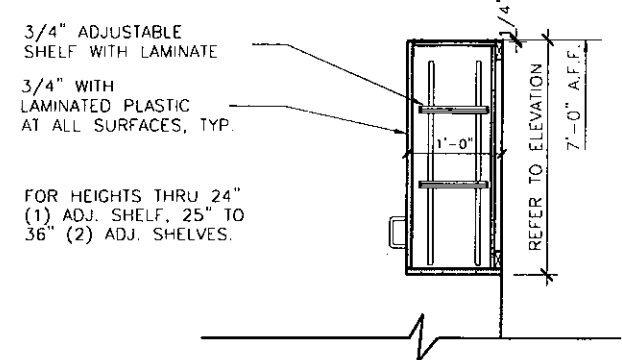
**15' x 18' METAL LOCKER DETAIL**  
 SCALE 1" = 1'-0" (1) 403



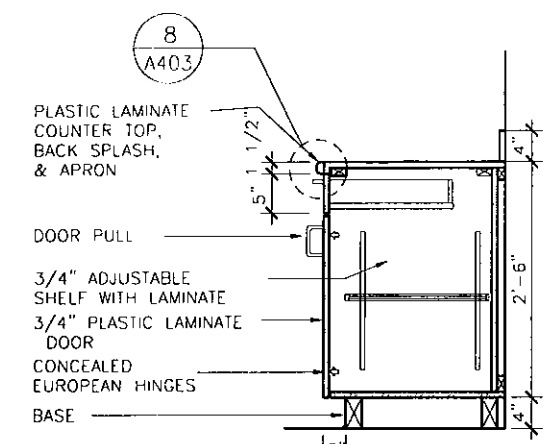
**SHOWER SOFFIT DETAIL**  
 SCALE 1" = 1'-0" (2) 403



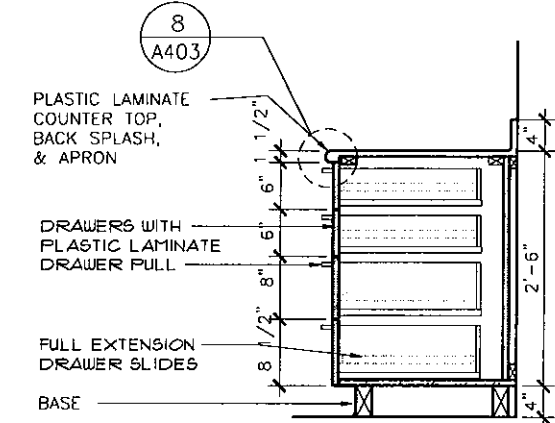
**SHOWER DETAIL**  
 SCALE 1" = 1'-0" (3) 403



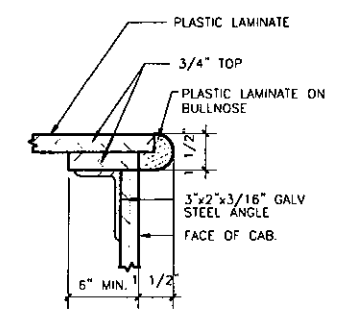
**TYPICAL UPPER CABINET DETAIL**  
 SCALE 1" = 1'-0" (4) 403



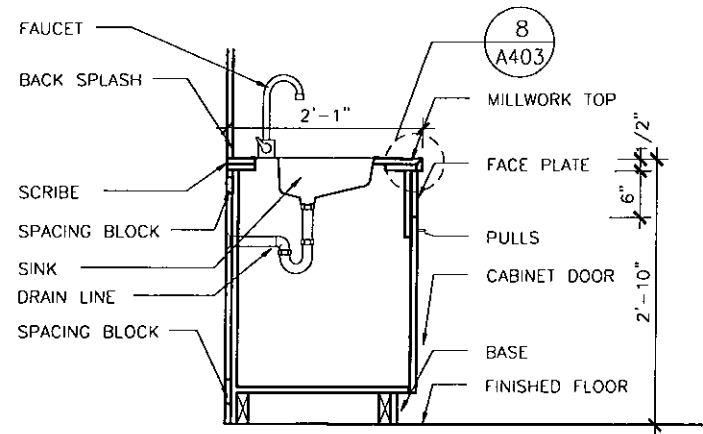
**TYPICAL BASE CABINET W/ DRAWER DETAIL**  
 SCALE 1" = 1'-0" (5) 403



**TYPICAL BASE CABINET W/ 4 DRAWER DETAIL**  
 SCALE 1" = 1'-0" (6) 403



**BULLNOSE DETAIL**  
 SCALE 3" = 1'-0" (8) 403



**SINK CABINET DETAIL**  
 SCALE 1" = 1'-0" (7) 403



IT IS A VIOLATION OF LAW FOR ANY PERSON, UNLESS ACTING UNDER THE DIRECTION OF A LICENSED ENGINEER, TO ALTER THIS DOCUMENT.  
 THIS DRAWING WAS PREPARED AT THE SCALE INDICATED IN THE TITLE BLOCK. INACCURACIES IN THE STATED SCALE MAY BE INTRODUCED WHEN DRAWINGS ARE REPRODUCED BY ANY MEANS. USE THE GRAPHIC SCALE BAR IN THE TITLE BLOCK TO DETERMINE THE ACTUAL SCALE OF THIS DRAWING.

IN CHARGE OF _____	DESIGNED BY _____ CHECKED BY _____	DRAWN BY _____
NO.	DATE	REVISION
0	10/19/09	ISSUED FOR BID

**Lothrop associates architects**

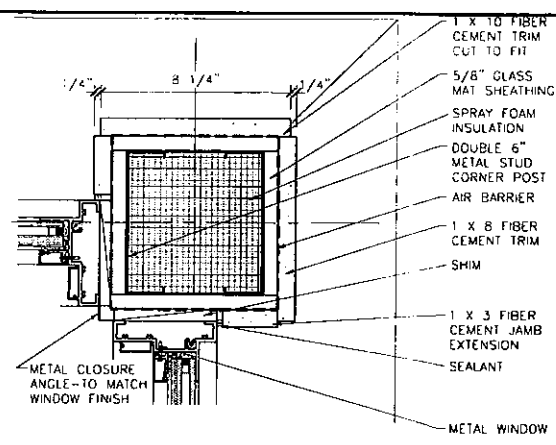
200 Summit Lake Drive, Valhalla, N.Y. 10595 914 741-1115

TOWN OF BEDFORD  
 WATER FILTRATION PLANT &  
 CONNECTION TO THE DELAWARE  
 AQUEDUCT AT SHAFT #13  
 BEDFORD, NEW YORK

ARCHITECTURAL  
 INTERIOR DETAILS

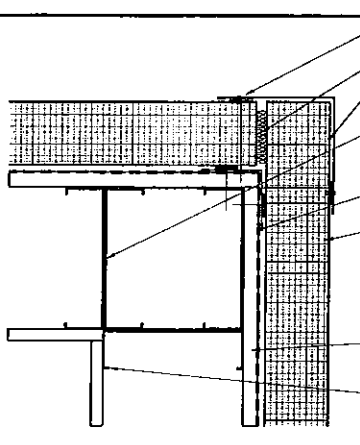
FILE NO.  
 1191-00  
 DATE  
 OCTOBER 2009

A403



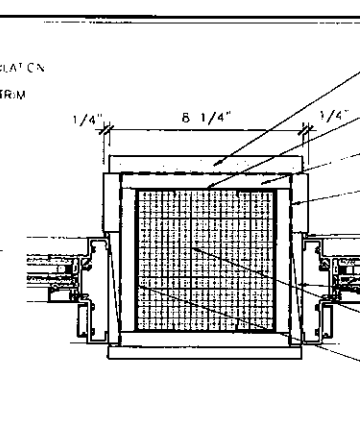
**CUPOLA WINDOW JAMB DETAIL**  
SCALE 3" = 1'-0"

1  
A501



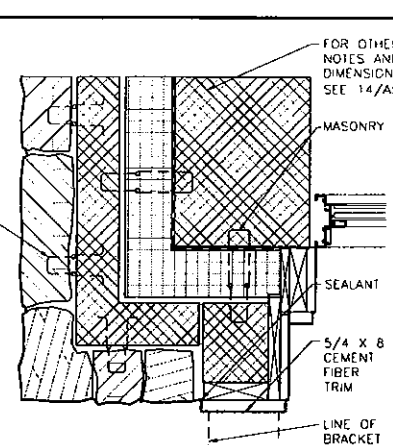
**CUPOLA CORNER DETAIL**  
SCALE 3" = 1'-0"

2  
A501



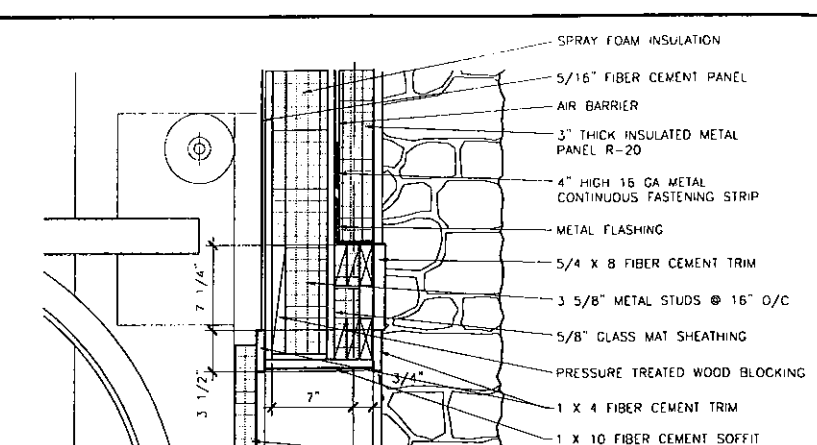
**CUPOLA MULLION DETAIL**  
SCALE 3" = 1'-0"

3  
A501



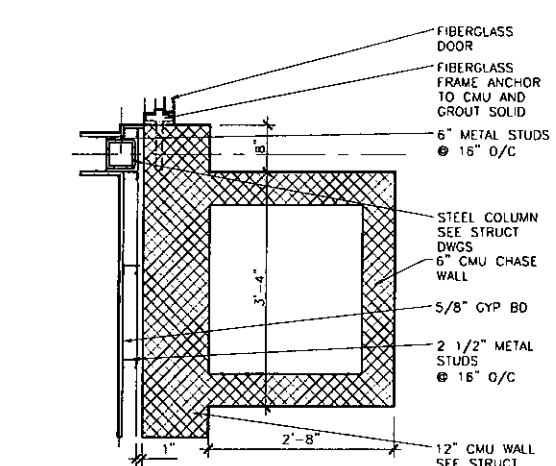
**WINDOW JAMB DETAIL AT CANOPY**  
SCALE 1 1/2" = 1'-0"

4  
A501



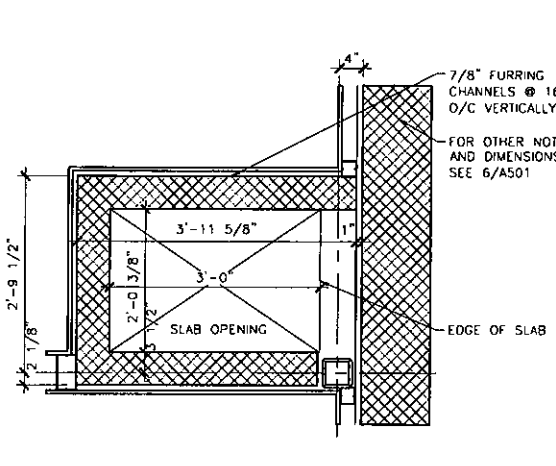
**GARAGE DOOR HEAD DETAIL**  
SCALE 1 1/2" = 1'-0"

5  
A501



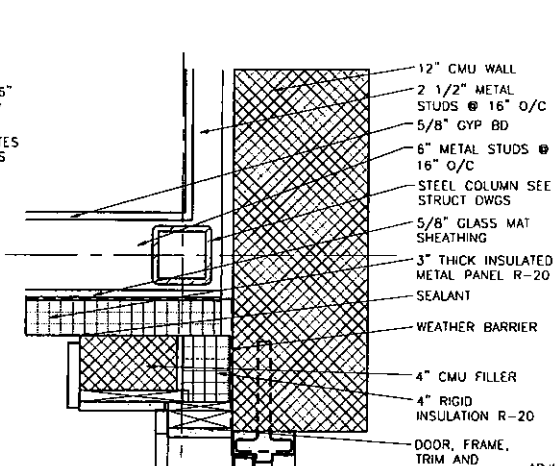
**GARAGE ELECTRIC CHASE DETAIL**  
SCALE 3/4" = 1'-0"

6  
A501



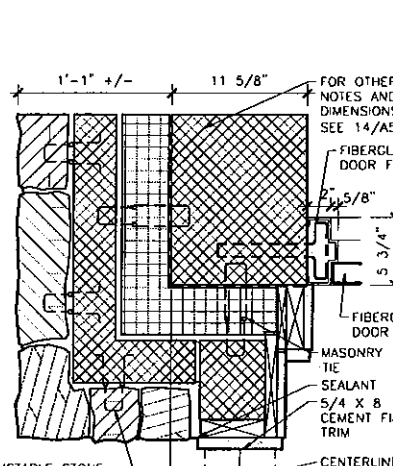
**ADMIN ELECTRIC CHASE DETAIL**  
SCALE 3/4" = 1'-0"

7  
A501



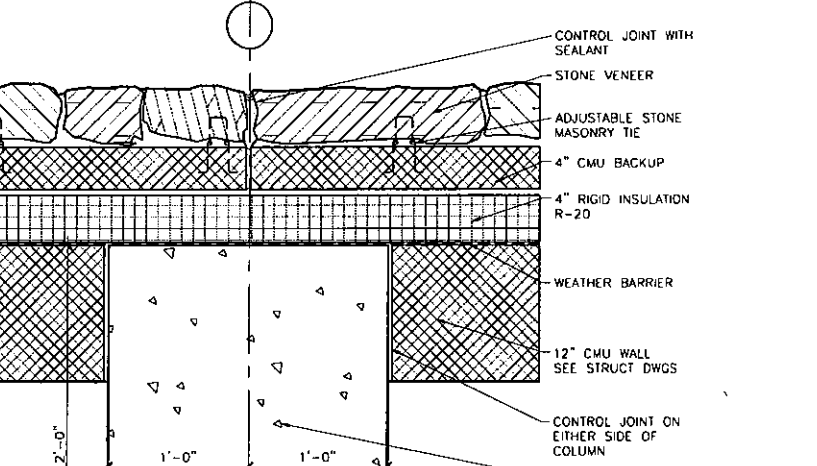
**GARAGE/ADMIN CORNER DETAIL**  
SCALE 1 1/2" = 1'-0"

8  
A501



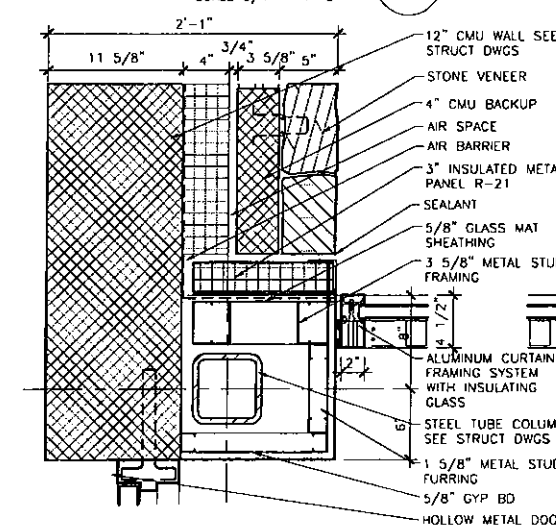
**DOOR JAMB DETAIL AT CANOPY**  
SCALE 1 1/2" = 1'-0"

9  
A501



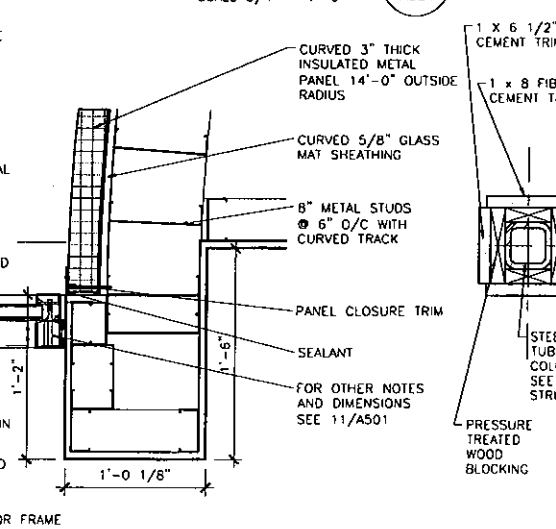
**CONTROL JOINT DETAIL**  
SCALE 1 1/2" = 1'-0"

10  
A501



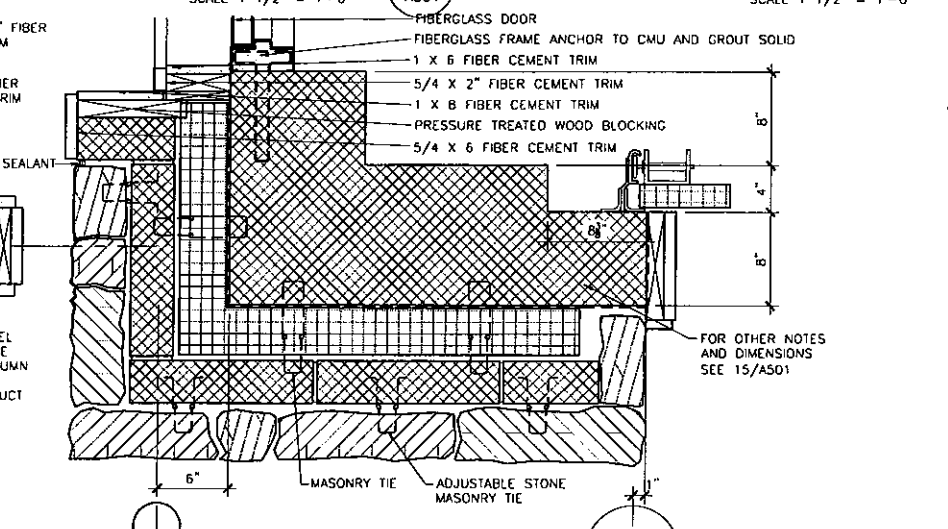
**CORNER DETAIL AT STORE FRONT**  
SCALE 1 1/2" = 1'-0"

11  
A501



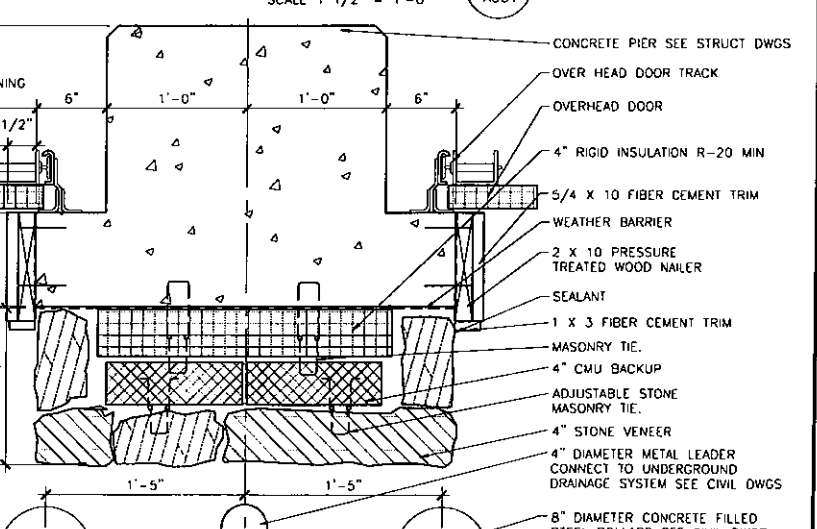
**SILO WALL INTERSECTION DETAIL**  
SCALE 1 1/2" = 1'-0"

12  
A501



**GARAGE CORNER DETAIL**  
SCALE 1 1/2" = 1'-0"

14  
A501



**GARAGE PIER DETAIL**  
SCALE 1 1/2" = 1'-0"

15  
A501



IN CHARGE OF \_\_\_\_\_  
DESIGNED BY \_\_\_\_\_ CHECKED BY \_\_\_\_\_  
DRAWN BY \_\_\_\_\_

THIS DRAWING WAS PREPARED AT THE SCALE INDICATED IN THE TITLE BLOCK. INACCURACIES IN THE STATED SCALE MAY BE INTRODUCED WHEN DRAWINGS ARE REPRODUCED BY ANY MEANS. USE THE GRAPHIC SCALE BAR IN THE TITLE BLOCK TO DETERMINE THE ACTUAL SCALE OF THIS DRAWING.

NO.	DATE	REVISION	INIT.
0	10/19/09	ISSUED FOR BID	

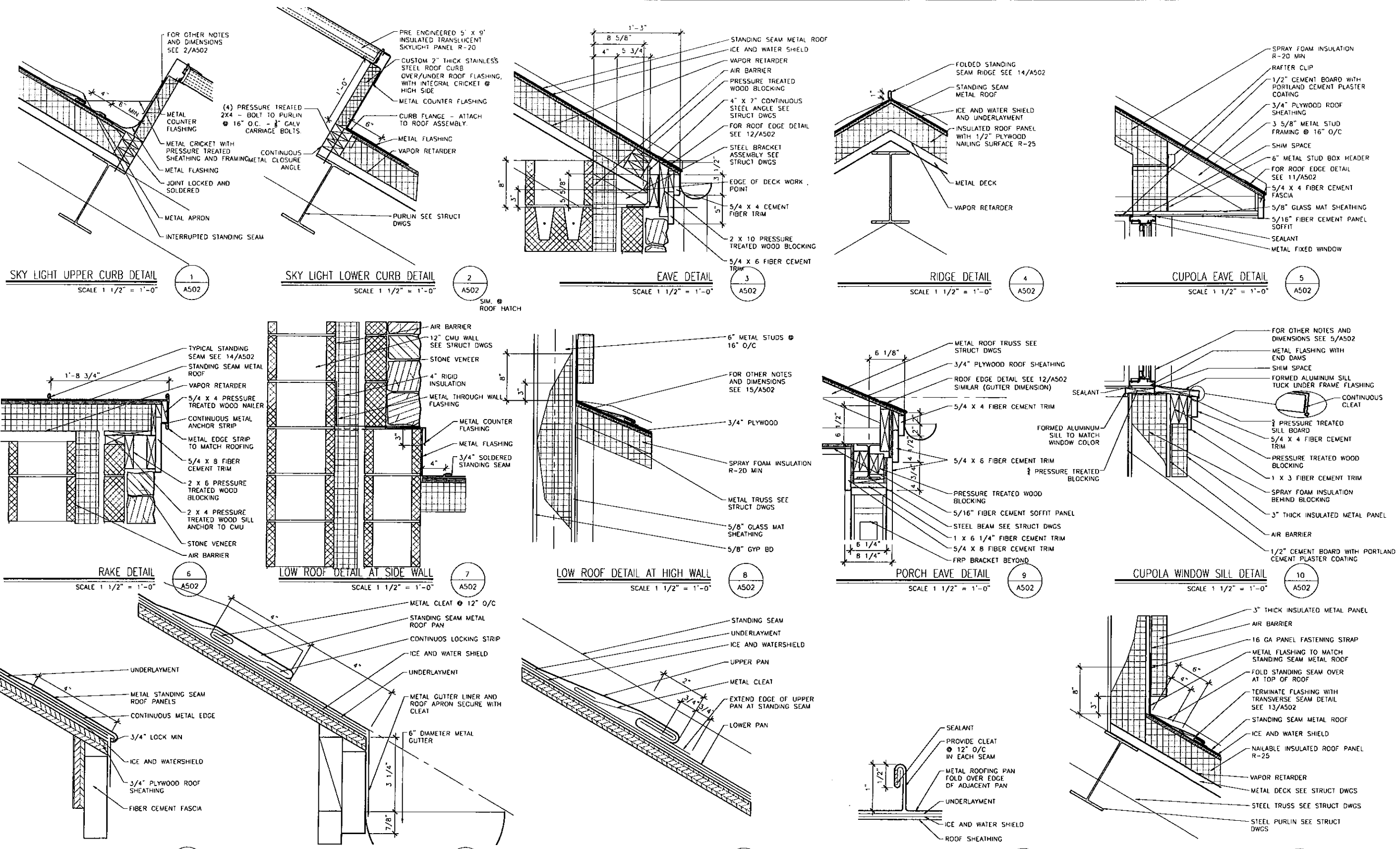
**Lothrop associates architects**  
200 Summit Lake Drive, Valhalla, N.Y. 10595 914 741-1115

TOWN OF BEDFORD  
WATER FILTRATION PLANT &  
CONNECTION TO THE DELAWARE  
AQUEDUCT AT SHAFT #13  
BEDFORD, NEW YORK

ARCHITECTURAL  
**EXTERIOR DETAILS**

FILE NO. 1191-00  
DATE OCTOBER 2009  
A501

PROJECT: MUNICIPAL 1191-00 DRAWINGS: 1191-00-09-1012 CONSTRUCTION DRAWINGS WORKING SET 1191-00-ACTIVE - ELEVATIONS.DWG  
 C:\PROJECTS\MUNICIPAL\1191-00 - BEDFORD WATER TREATMENT\1191-00 DRAWINGS\1191-00-09-1012 CONSTRUCTION DRAWINGS WORKING SET 1191-00-ACTIVE - ELEVATIONS.DWG  
 10/15/09 3:39 PM



THIS DRAWING WAS PREPARED AT THE SCALE INDICATED IN THE TITLE BLOCK. INACCURACIES IN THE STATED SCALE MAY BE INTRODUCED WHEN DRAWINGS ARE REPRODUCED BY ANY MEANS. USE THE GRAPHIC SCALE BAR IN THE TITLE BLOCK TO DETERMINE THE ACTUAL SCALE OF THIS DRAWING.



IN CHARGE OF \_\_\_\_\_  
 DESIGNED BY \_\_\_\_\_ CHECKED BY \_\_\_\_\_  
 DRAWN BY \_\_\_\_\_

NO.	DATE	REVISION
0	10/19/09	ISSUED FOR BID

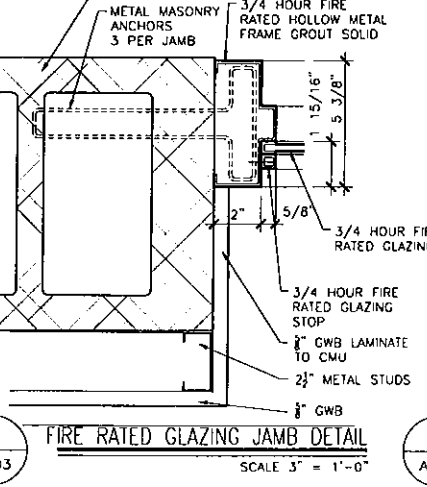
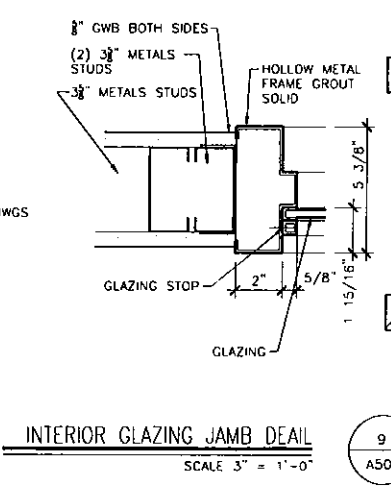
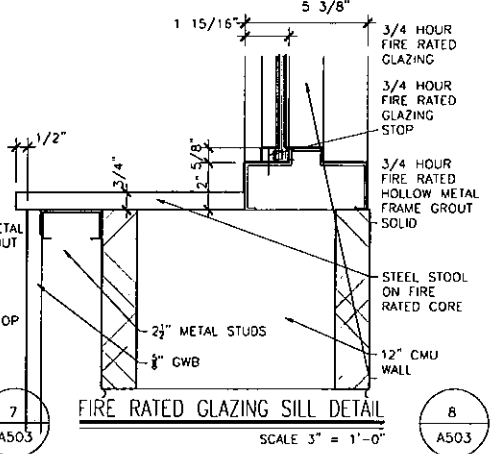
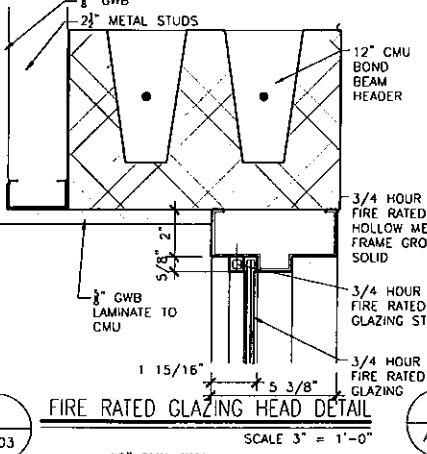
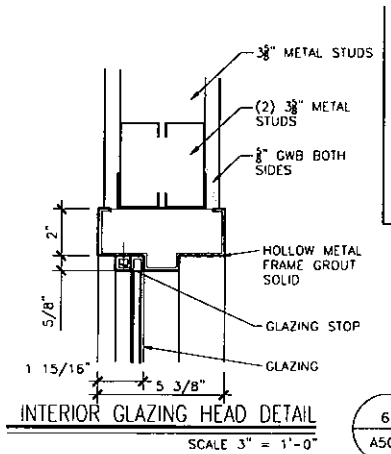
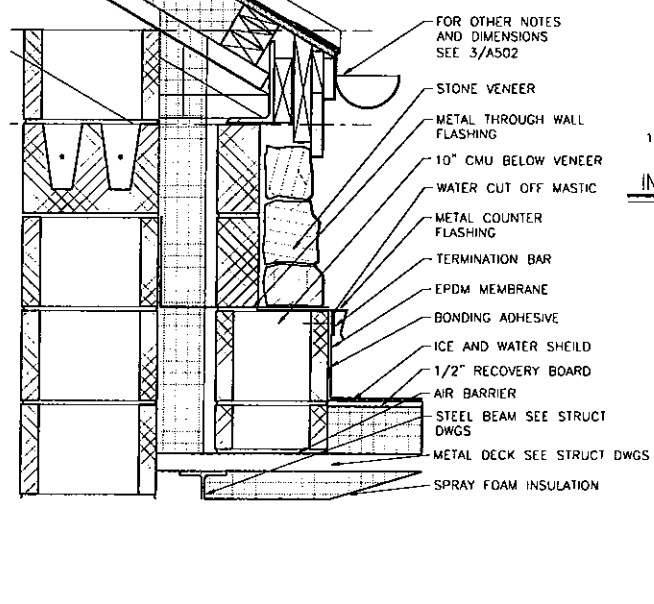
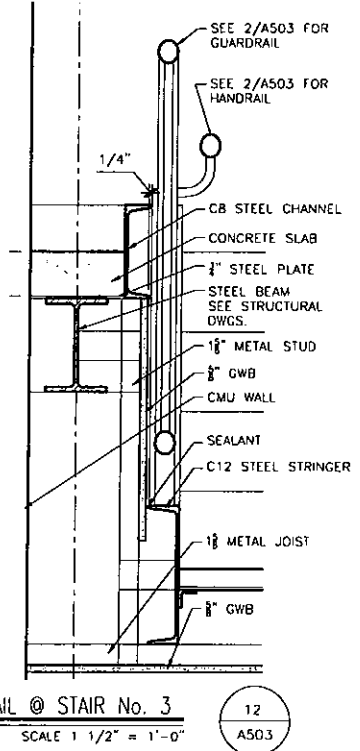
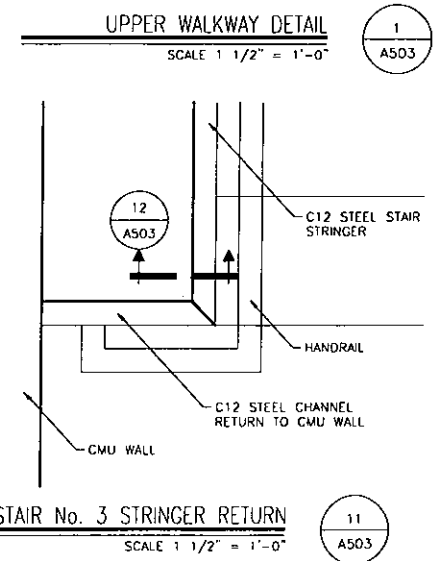
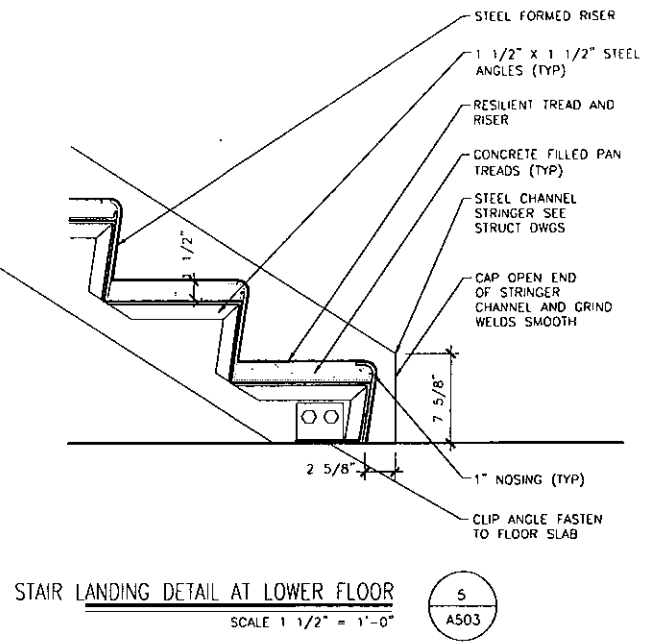
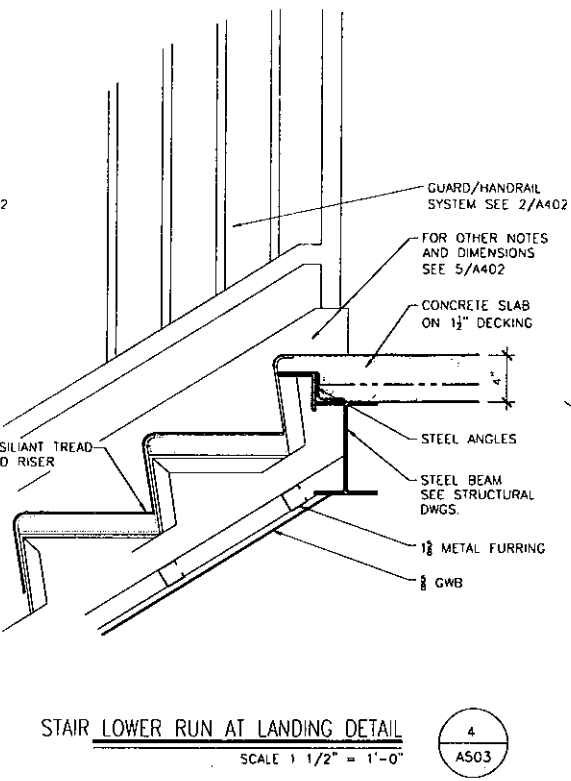
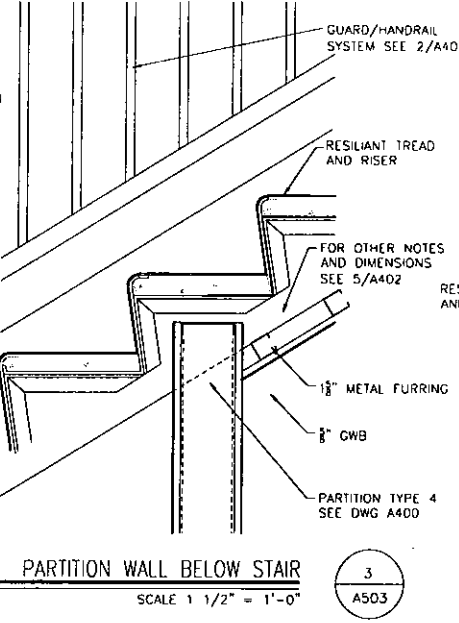
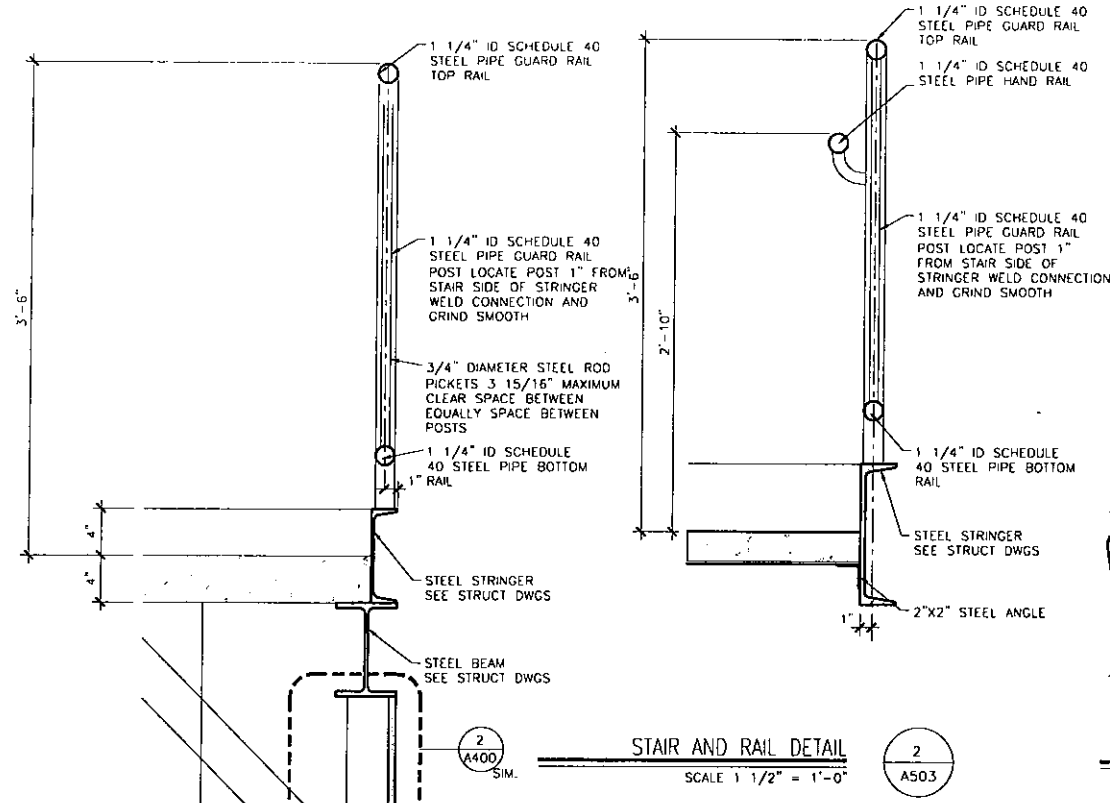
**Lothrop associates architects**  
 200 Summit Lake Drive, Valhalla, N.Y. 10595  
 914 741-1115

TOWN OF BEDFORD  
 WATER FILTRATION PLANT &  
 CONNECTION TO THE DELAWARE  
 AQUEDUCT AT SHAFT #13  
 BEDFORD, NEW YORK

ARCHITECTURAL  
**ROOF DETAILS**

FILE NO.  
 1191-00  
 DATE  
 OCTOBER 2009

**A502**



IT IS A VIOLATION OF LAW FOR ANY PERSON, UNLESS ACTING UNDER THE DIRECTION OF A LICENSED ENGINEER, TO ALTER THIS DOCUMENT.

THIS DRAWING WAS PREPARED AT THE SCALE INDICATED IN THE TITLE BLOCK. INACCURACIES IN THE STATED SCALE MAY BE INTRODUCED WHEN DRAWINGS ARE REPRODUCED BY ANY MEANS. USE THE GRAPHIC SCALE BAR IN THE TITLE BLOCK TO DETERMINE THE ACTUAL SCALE OF THIS DRAWING.

IN CHARGE OF \_\_\_\_\_  
 DESIGNED BY \_\_\_\_\_ CHECKED BY \_\_\_\_\_  
 DRAWN BY \_\_\_\_\_

1 1/2" = 1'-0"  
 1/4" = 1'-0"

NO. 0 DATE 10/19/09 ISSUED FOR BID

NO.	DATE	REVISION
0	10/19/09	ISSUED FOR BID

Lothrop associates architects  
 200 Summit Lake Drive, Valhalla, N.Y 10595 914 741-1115

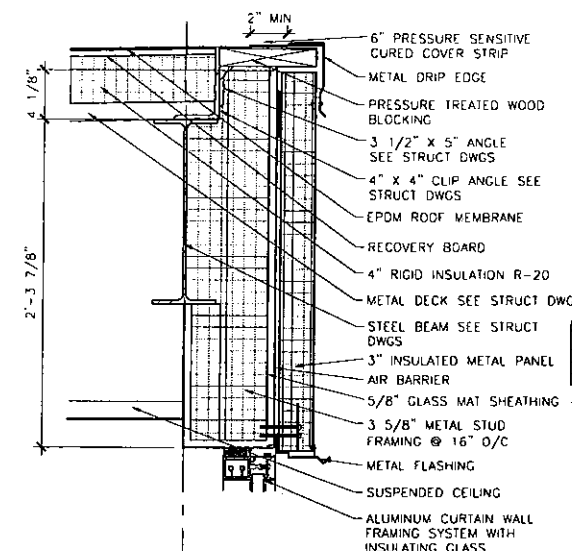
TOWN OF BEDFORD  
 WATER FILTRATION PLANT &  
 CONNECTION TO THE DELAWARE  
 AQUEDUCT AT SHAFT #13  
 BEDFORD, NEW YORK

ARCHITECTURAL  
 INTERIOR DETAILS

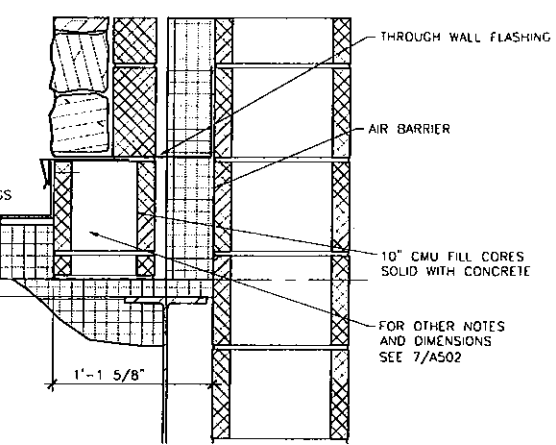
FILE NO. 1191-00  
 DATE OCTOBER 2009

A503

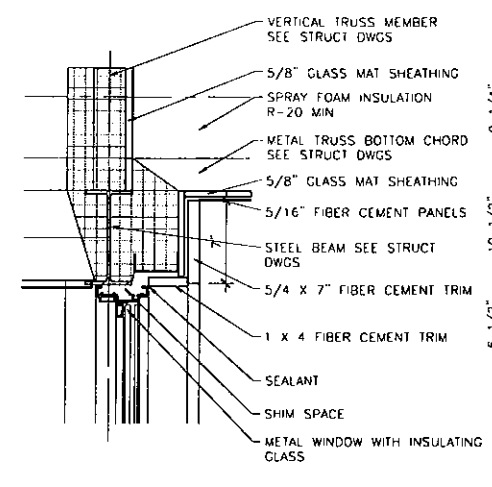
C:\PROJECTS\MUNICIPAL\1191-00 - BEDFORD WATER TREATMENT\1191-00\_09\_1012\_CONSTRUCTION DRAWINGS WORKING SET\1191-00\_ACTIVE - ELEVATIONS.DWG  
 SAVED: 10/15/09 3:59:48



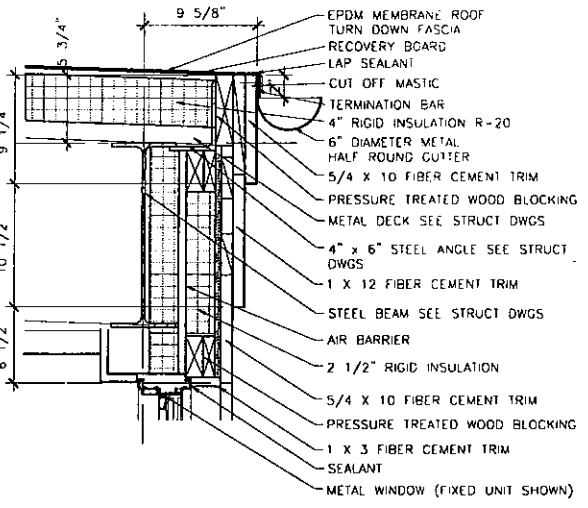
**GLASS WALL DETAIL AT ROOF**  
SCALE 1 1/2" = 1'-0"



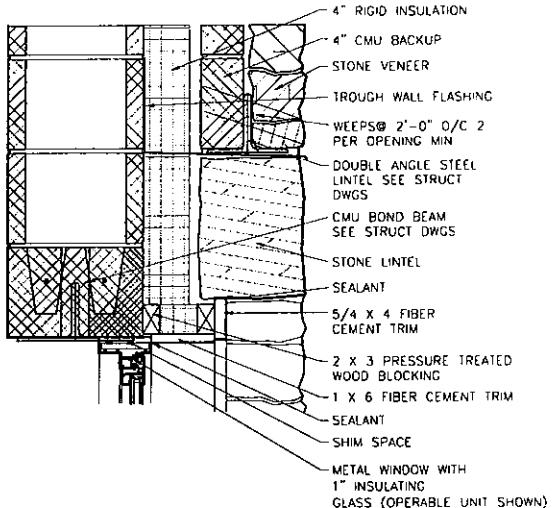
**STONE SUPPORT DETAIL AT FLAT ROOF**  
SCALE 1 1/2" = 1'-0"



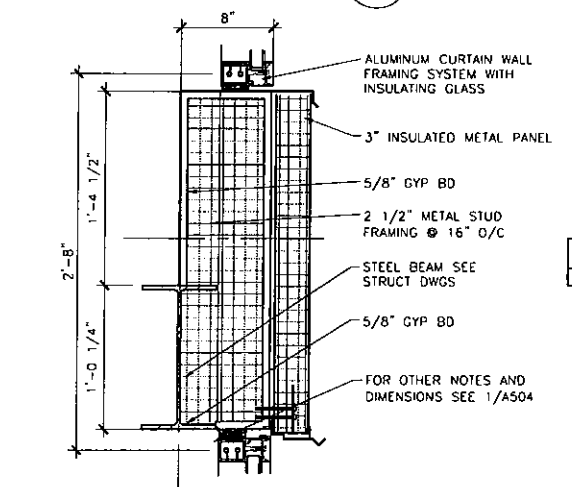
**HEAD DETAIL AT STUD WALL**  
SCALE 1 1/2" = 1'-0"



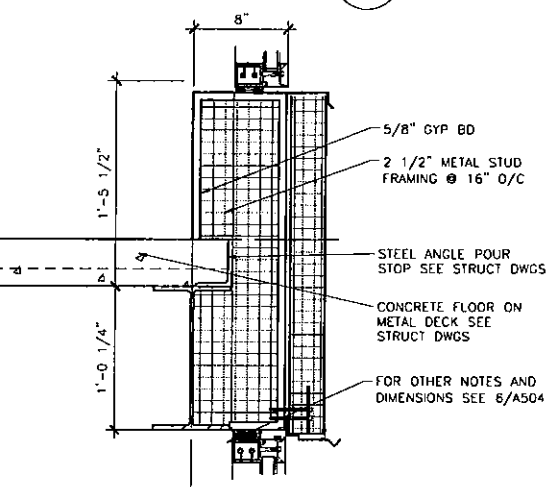
**HEAD DETAIL AT ROOF**  
SCALE 1 1/2" = 1'-0"



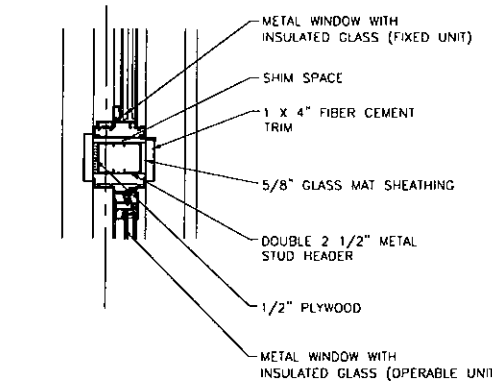
**TYPICAL HEAD DETAIL**  
SCALE 1 1/2" = 1'-0"



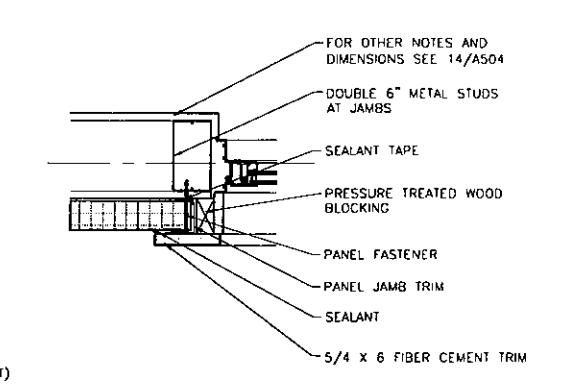
**GLASS WALL DET AT SPANDREL**  
SCALE 1 1/2" = 1'-0"



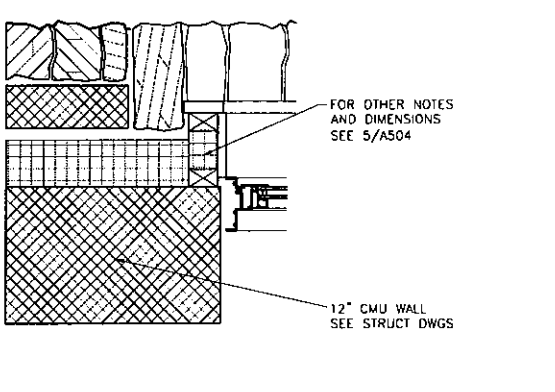
**SPANDREL DETAIL AT FLOOR**  
SCALE 1 1/2" = 1'-0"



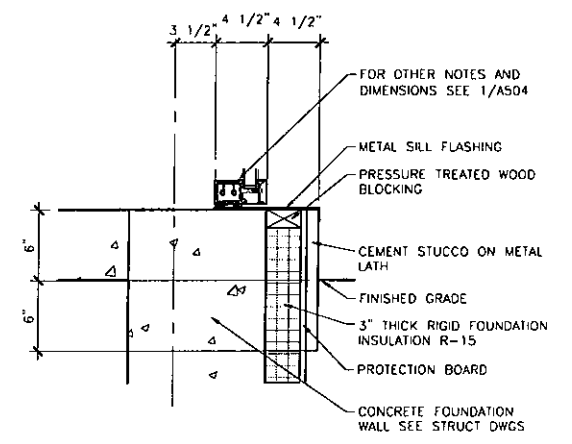
**HORIZONTAL MULLION DETAIL**  
SCALE 1 1/2" = 1'-0"



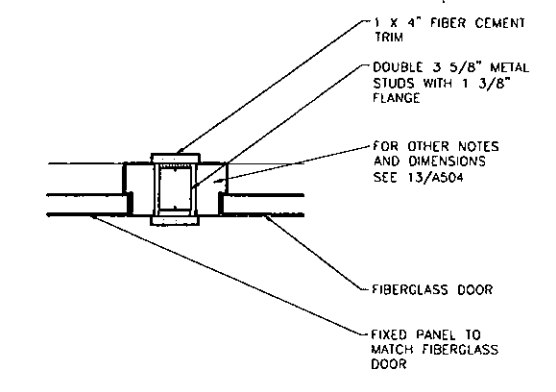
**JAMB DETAIL AT STUD WALL**  
SCALE 1 1/2" = 1'-0"



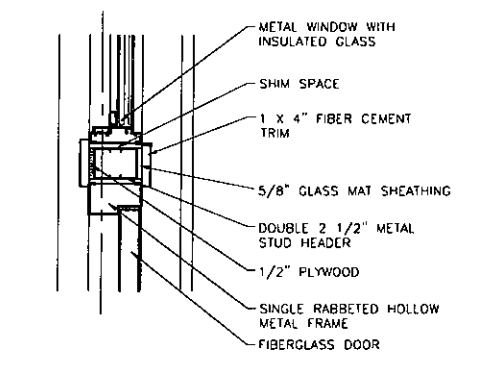
**TYPICAL JAMB DETAIL**  
SCALE 1 1/2" = 1'-0"



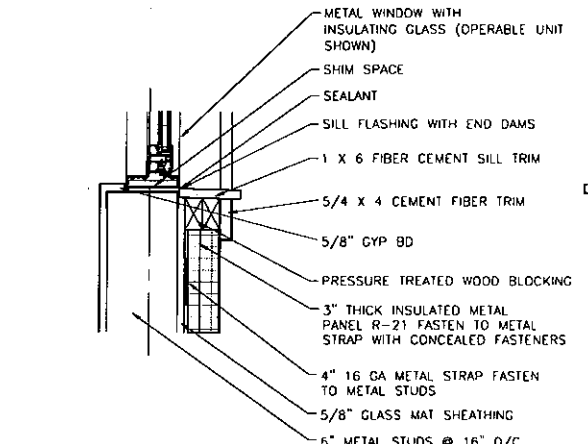
**GLASS WALL SILL DETAIL**  
SCALE 1 1/2" = 1'-0"



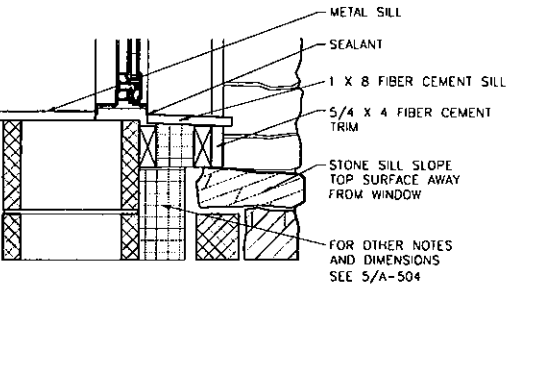
**VERTICAL MULLION DETAIL**  
SCALE 1 1/2" = 1'-0"



**HORIZONTAL MULLION DETAIL AT DOOR**  
SCALE 1 1/2" = 1'-0"



**SILL DETAIL AT STUD WALL**  
SCALE 1 1/2" = 1'-0"



**TYPICAL SILL DETAIL**  
SCALE 1 1/2" = 1'-0"



THIS DRAWING WAS PREPARED AT THE SCALE INDICATED IN THE TITLE BLOCK. ACCURACIES IN THE STATED SCALE MAY BE INTRODUCED WHEN DRAWINGS ARE REPRODUCED BY ANY MEANS. USE THE GRAPHIC SCALE BAR IN THE TITLE BLOCK TO DETERMINE THE ACTUAL SCALE OF THIS DRAWING.

IN CHARGE OF \_\_\_\_\_  
 DESIGNED BY \_\_\_\_\_ CHECKED BY \_\_\_\_\_  
 DRAWN BY \_\_\_\_\_

NO.	DATE	REVISION
0	10/19/09	ISSUED FOR BID

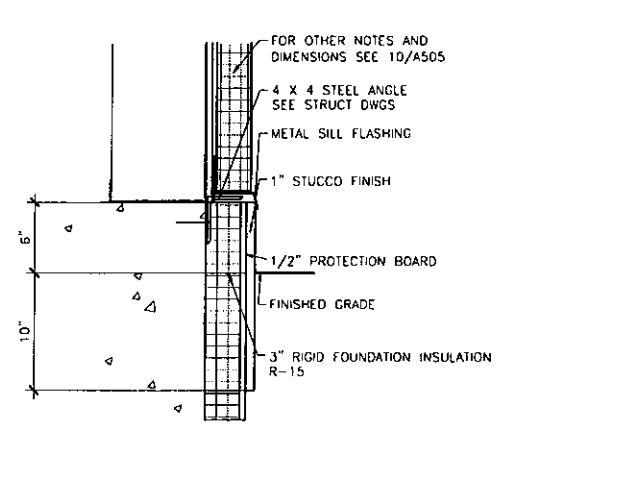
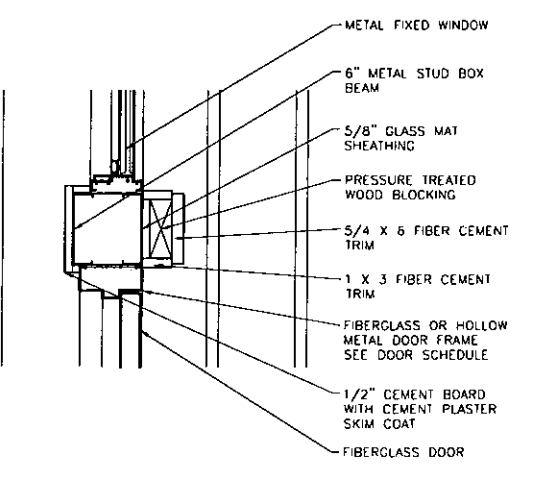
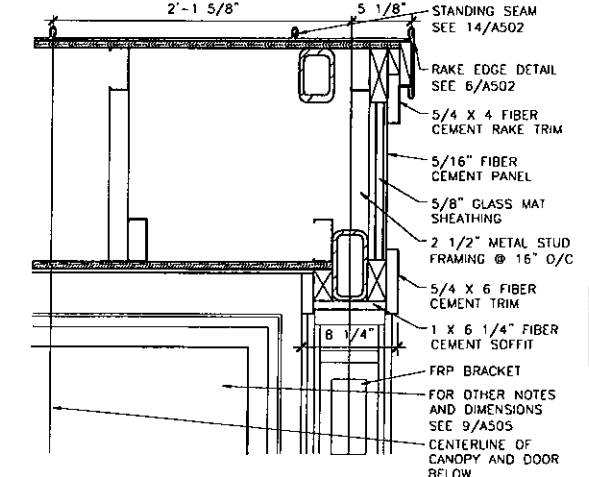
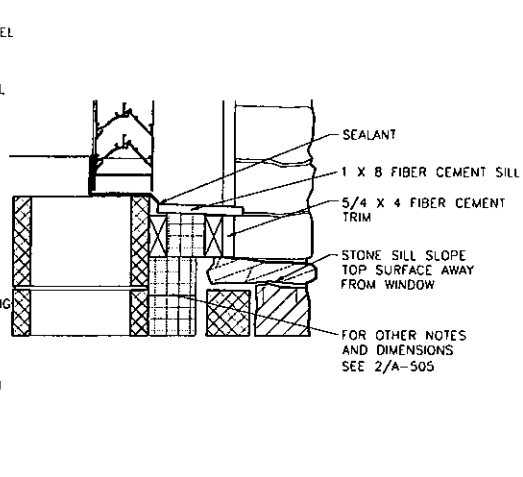
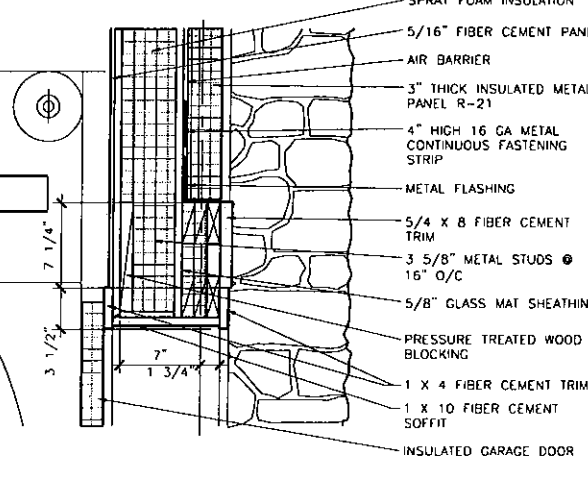
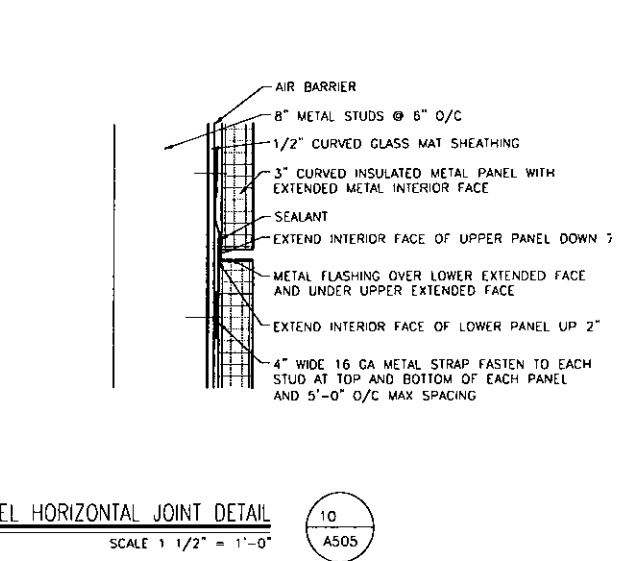
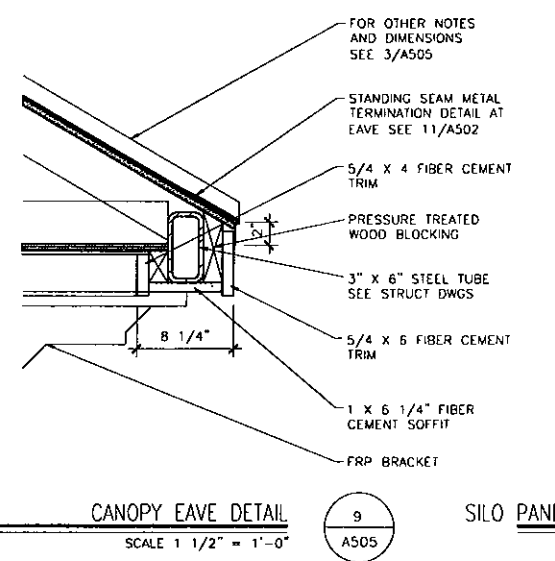
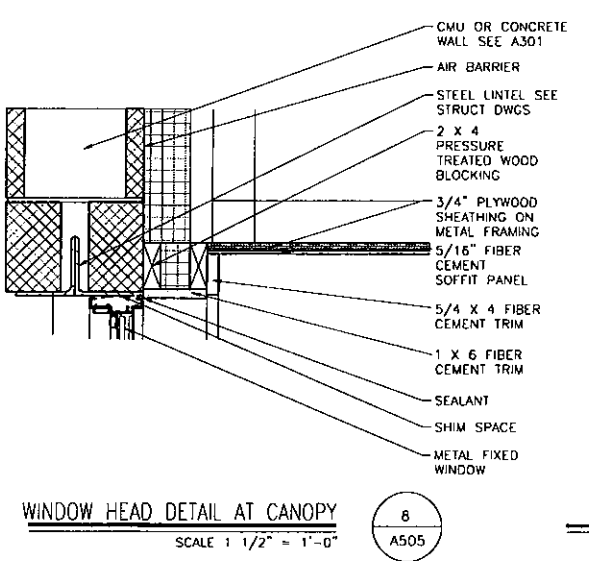
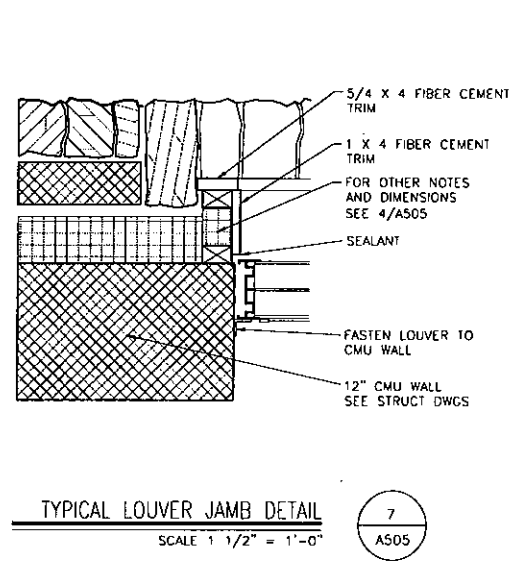
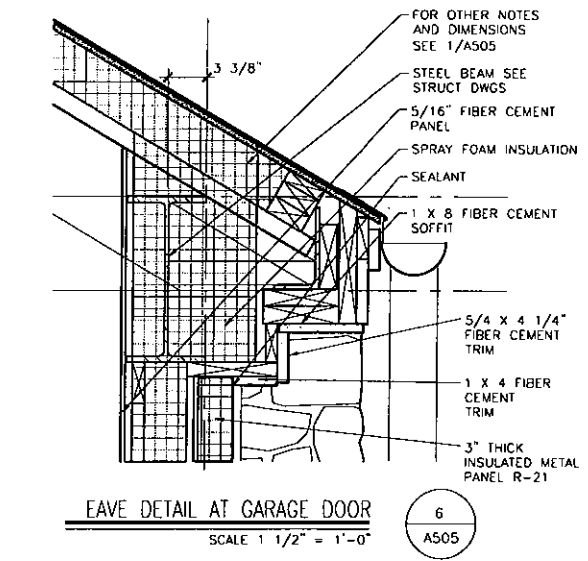
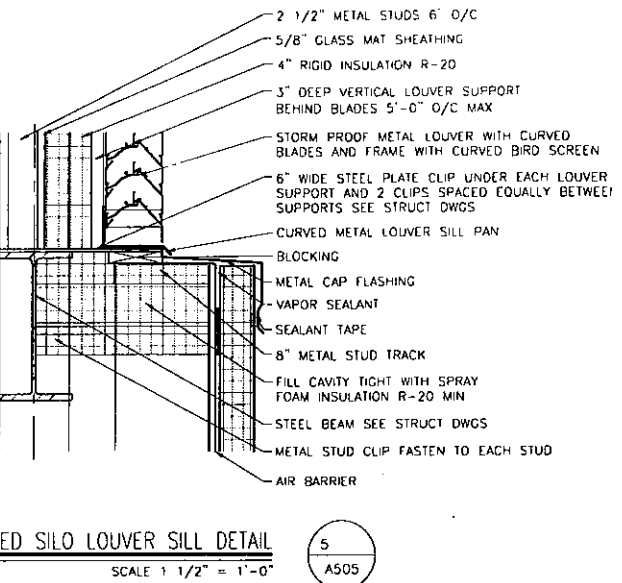
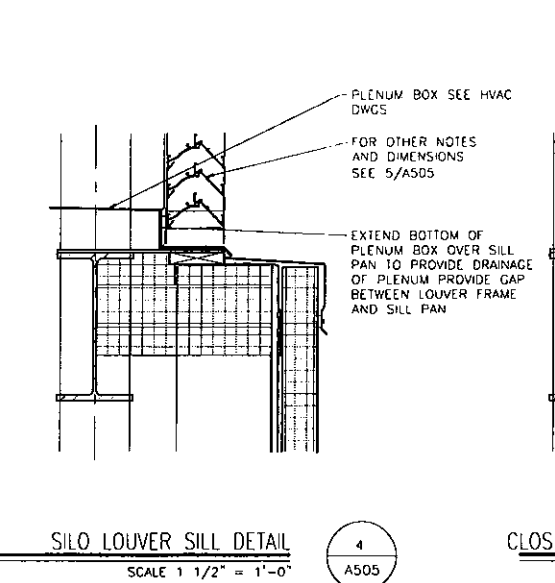
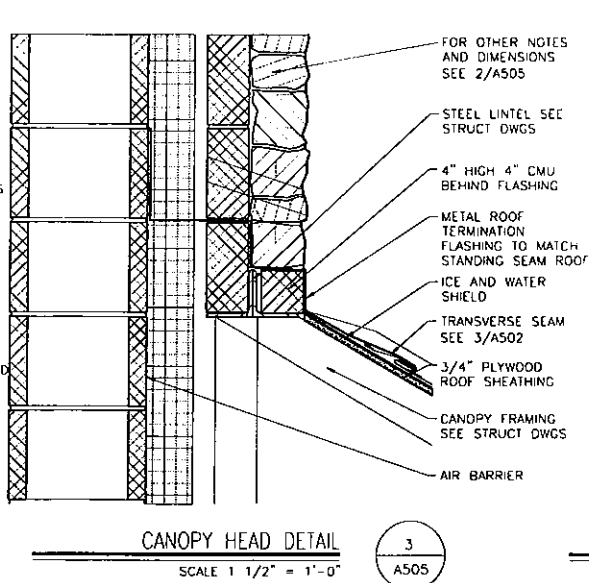
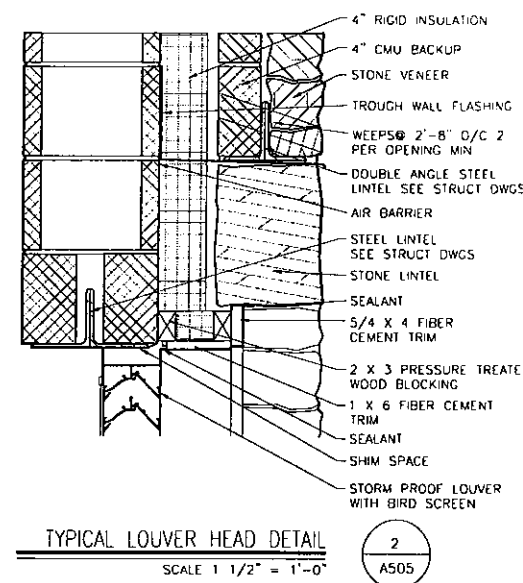
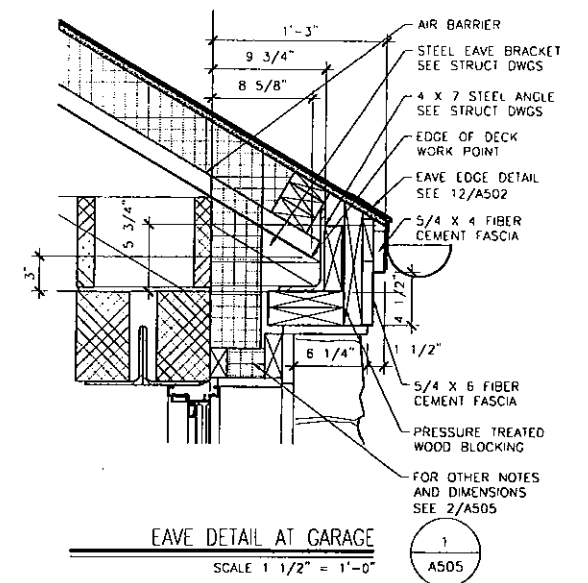
**Lothrop associates architects**  
 200 Summit Lake Drive, Valhalla, N.Y 10595 914 741-1115

TOWN OF BEDFORD  
 WATER FILTRATION PLANT &  
 CONNECTION TO THE DELAWARE  
 AQUEDUCT AT SHAFT #13  
 BEDFORD, NEW YORK

ARCHITECTURAL  
 WINDOW DETAILS  
 FILE NO. 1191-00  
 DATE OCTOBER 2009

A504

G:\PROJECTS\MUNICIPAL\1191-00 - BEDFORD WATER TREATMENT\1191-00 DRAWINGS\1191-00\_ACTIVE - ELEVATIONS.DWG  
 SAVED: 10/15/09 3:59 PM  
 G:\PROJECTS\MUNICIPAL\1191-00 - BEDFORD WATER TREATMENT\1191-00 DRAWINGS\1191-00\_ACTIVE - ELEVATIONS.DWG



**GARAGE DOOR HEAD DETAIL (11)**  
SCALE 1 1/2" = 1'-0"

11  
A505

THIS DRAWING WAS PREPARED AT THE SCALE INDICATED IN THE TITLE BLOCK. INACCURACIES IN THE STATED SCALE MAY BE INTRODUCED WHEN DRAWINGS ARE REPRODUCED BY ANY MEANS. USE THE GRAPHIC SCALE BAR IN THE TITLE BLOCK TO DETERMINE THE ACTUAL SCALE OF THIS DRAWING.

**TYPICAL LOUVER SILL DETAIL (12)**  
SCALE 1 1/2" = 1'-0"

12  
A505

**TYPICAL LOUVER SILL DETAIL (12)**  
SCALE 1 1/2" = 1'-0"

12  
A505

**CANOPY RAKE DETAIL (13)**  
SCALE 1 1/2" = 1'-0"

13  
A505

**CANOPY RAKE DETAIL (13)**  
SCALE 1 1/2" = 1'-0"

13  
A505

**TRANSOM SILL DETAIL (14)**  
SCALE 1 1/2" = 1'-0"

14  
A505

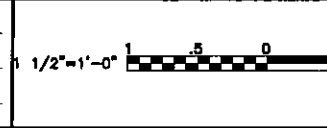
**TRANSOM SILL DETAIL (14)**  
SCALE 1 1/2" = 1'-0"

14  
A505

**SILO SILL DETAIL (15)**  
SCALE 1 1/2" = 1'-0"

15  
A505

IN CHARGE OF \_\_\_\_\_  
DESIGNED BY \_\_\_\_\_ CHECKED BY \_\_\_\_\_  
DRAWN BY \_\_\_\_\_



NO.	DATE	ISSUED FOR BID	REVISION	INIT.
0	10/19/09	ISSUED FOR BID		

Lothrop associates architects

200 Summit Lake Drive, Valhalla, N.Y. 10595 914 741-1115

TOWN OF BEDFORD  
WATER FILTRATION PLANT &  
CONNECTION TO THE DELAWARE  
AQUEDUCT AT SHAFT #13  
BEDFORD, NEW YORK

ARCHITECTURAL

LOUVER AND  
CANOPY DETAILS

FILE NO.  
1191-00  
DATE  
OCTOBER 2009

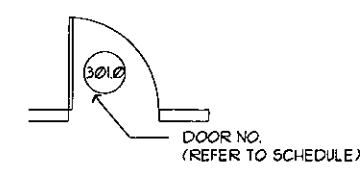
A505

# DOOR AND FRAME SCHEDULE

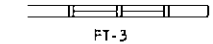
#	DOOR			FRAME			FIRE RATING LABEL	SET NO	KEYSIDE R/N NO	REMARKS	
	SIZE	THK	TYPE	GLAZING	MATL	MATL ELEV					HEAD
101A	7'3"-0" x 7'-0"	1 3/4"	M	NO	FG	FG	1	8	5-4	E3 EXTERIOR NOTE 1	
101B	3'-0" x 7'-0"	1 3/4"	M	NO	FG	FG	2	8	5-4	E5 EXTERIOR NOTE 1	
102A	3'-0" x 7'-0"	1 3/4"	MV1	YES	FG	FG	1	4	5-2	E3 EXTERIOR NOTE 1	
102B	3'-0" x 7'-0"	1 3/4"	M	NO	FG	FG	1	8	5-4	E3 EXTERIOR NOTE 1	
103A	7'3"-0" x 7'-0"	1 3/4"	M	NO	FG	FG	1	8	5-4	E3 EXTERIOR NOTE 1	
103B	3'-0" x 7'-0"	1 3/4"	M	NO	FG	FG	1	4	5-1	E3 EXTERIOR NOTE 1	
104A	3'-0" x 7'-0"	1 3/4"	M	NO	FG	FG	1	4	5-1	E3 EXTERIOR NOTE 1	
104B	3'-0" x 7'-0"	1 3/4"	M	NO	FG	FG	1	4	5-1	E3 EXTERIOR NOTE 1	
105A	3'-0" x 7'-0"	1 3/4"	M	NO	FG	FG	1	4	5-1	E3 EXTERIOR NOTE 1	
105B	7'3"-0" x 7'-0"	1 3/4"	M	NO	FG	FG	1	8	5-4	E3 EXTERIOR NOTE 1	
106A	3'-0" x 7'-0"	1 3/4"	MV1	YES	FG	FG	4	10	10 5M1	1 1/2 HR E1A 101 NOTE 12	
106B	3'-0" x 7'-0"	1 3/4"	M	NO	FG	FG	1	10	10 5M1	5-2	E3 EXTERIOR NOTE 1
107A	3'-0" x 7'-0"	1 3/4"	M	NO	FG	FG	1	10	10 5M1	5-2	E3 EXTERIOR NOTE 1
107B	3'-0" x 7'-0"	1 3/4"	M	NO	FG	FG	1	10	10 5M1	5-2	E3 EXTERIOR NOTE 1
107C	3'-0" x 7'-0"	1 3/4"	M	NO	FG	FG	1	10	10 5M1	5-2	E3 EXTERIOR NOTE 1
107D	3'-0" x 7'-0"	1 3/4"	M	NO	FG	FG	1	10	10 5M1	5-2	E3 EXTERIOR NOTE 1
107E	3'-0" x 7'-0"	1 3/4"	M	NO	FG	FG	1	10	10 5M1	5-2	E3 EXTERIOR NOTE 1
107F	3'-0" x 7'-0"	1 3/4"	M	NO	FG	FG	1	10	10 5M1	5-2	E3 EXTERIOR NOTE 1
107G	3'-0" x 7'-0"	1 3/4"	M	NO	FG	FG	1	10	10 5M1	5-2	E3 EXTERIOR NOTE 1
107H	3'-0" x 7'-0"	1 3/4"	M	NO	FG	FG	1	10	10 5M1	5-2	E3 EXTERIOR NOTE 1
107I	3'-0" x 7'-0"	1 3/4"	M	NO	FG	FG	1	10	10 5M1	5-2	E3 EXTERIOR NOTE 1
107J	3'-0" x 7'-0"	1 3/4"	M	NO	FG	FG	1	10	10 5M1	5-2	E3 EXTERIOR NOTE 1
107K	3'-0" x 7'-0"	1 3/4"	M	NO	FG	FG	1	10	10 5M1	5-2	E3 EXTERIOR NOTE 1
107L	3'-0" x 7'-0"	1 3/4"	M	NO	FG	FG	1	10	10 5M1	5-2	E3 EXTERIOR NOTE 1
107M	3'-0" x 7'-0"	1 3/4"	M	NO	FG	FG	1	10	10 5M1	5-2	E3 EXTERIOR NOTE 1
107N	3'-0" x 7'-0"	1 3/4"	M	NO	FG	FG	1	10	10 5M1	5-2	E3 EXTERIOR NOTE 1
107O	3'-0" x 7'-0"	1 3/4"	M	NO	FG	FG	1	10	10 5M1	5-2	E3 EXTERIOR NOTE 1
107P	3'-0" x 7'-0"	1 3/4"	M	NO	FG	FG	1	10	10 5M1	5-2	E3 EXTERIOR NOTE 1
107Q	3'-0" x 7'-0"	1 3/4"	M	NO	FG	FG	1	10	10 5M1	5-2	E3 EXTERIOR NOTE 1
107R	3'-0" x 7'-0"	1 3/4"	M	NO	FG	FG	1	10	10 5M1	5-2	E3 EXTERIOR NOTE 1
107S	3'-0" x 7'-0"	1 3/4"	M	NO	FG	FG	1	10	10 5M1	5-2	E3 EXTERIOR NOTE 1
107T	3'-0" x 7'-0"	1 3/4"	M	NO	FG	FG	1	10	10 5M1	5-2	E3 EXTERIOR NOTE 1
107U	3'-0" x 7'-0"	1 3/4"	M	NO	FG	FG	1	10	10 5M1	5-2	E3 EXTERIOR NOTE 1
107V	3'-0" x 7'-0"	1 3/4"	M	NO	FG	FG	1	10	10 5M1	5-2	E3 EXTERIOR NOTE 1
107W	3'-0" x 7'-0"	1 3/4"	M	NO	FG	FG	1	10	10 5M1	5-2	E3 EXTERIOR NOTE 1
107X	3'-0" x 7'-0"	1 3/4"	M	NO	FG	FG	1	10	10 5M1	5-2	E3 EXTERIOR NOTE 1
107Y	3'-0" x 7'-0"	1 3/4"	M	NO	FG	FG	1	10	10 5M1	5-2	E3 EXTERIOR NOTE 1
107Z	3'-0" x 7'-0"	1 3/4"	M	NO	FG	FG	1	10	10 5M1	5-2	E3 EXTERIOR NOTE 1
108A	7'3"-0" x 6'-0"	1 3/4"	FG	YES	FG	FG	3	13/A604	13/A604	6-5	E6 EXTERIOR NOTE 1 SEE DETAIL
108B	3'-0" x 7'-0"	1 3/4"	MV2	YES	FG	FG	5	10	10 5M1	5-1	E7 104
108C	3'-0" x 7'-0"	1 3/4"	MV1	YES	FG	FG	4	6	9	5-4	E7 104
108D	3'-0" x 7'-0"	1 3/4"	MV1	YES	FG	FG	2	8	9	5-4	E5 EXTERIOR NOTE 1
108E	24'-0" x 14'-0"	2"	OH	YES	STEEL	HM	...	...	...	...	...
108F	24'-0" x 14'-0"	2"	OH	YES	STEEL	HM	...	...	...	...	...
108G	24'-0" x 14'-0"	2"	OH	YES	STEEL	HM	...	...	...	...	...
108H	3'-0" x 6'-0"	1 3/4"	MV1	YES	FG	FG	1	6	9	5-4	E4 EXTERIOR NOTE 1
201A	3'-0" x 7'-0"	1 3/4"	MV1	YES	FG	FG	1	6	9	5-3	1 1/2 HR E4 203 NOTE 12
201B	7'3"-0" x 9'-0"	1 3/4"	M	NO	FG	FG	1	8	9	5/A602	...
201C	7'3"-0" x 9'-0"	1 3/4"	M	NO	FG	FG	1	8	9	5/A602	...
201D	7'3"-0" x 9'-0"	1 3/4"	M	NO	FG	FG	1	8	9	5/A602	...
201E	7'3"-0" x 9'-0"	1 3/4"	M	NO	FG	FG	1	8	9	5/A602	...
201F	3'-0" x 7'-0"	1 3/4"	M	NO	FG	FG	1	10	10 5M1	5-3	3/4 HR 6A 203
201G	3'-0" x 7'-0"	1 3/4"	M	NO	FG	FG	1	10	10 5M1	5-3	3/4 HR 7C 203
201H	3'-0" x 7'-0"	1 3/4"	M	NO	FG	FG	1	10	10 5M1	5-3	3/4 HR 7 203
201I	7'3"-0" x 7'-0"	1 3/4"	M	NO	FG	FG	1	6 5M1	13/A602	3/4 HR 6 203	
201J	7'3"-0" x 7'-0"	1 3/4"	M	NO	FG	FG	1	6 5M1	13/A602	3/4 HR 7 203	
201K	7'3"-0" x 7'-0"	1 3/4"	M	NO	FG	FG	1	6 5M1	13/A602	3/4 HR 6 205	
201L	7'3"-0" x 7'-0"	1 3/4"	M	NO	FG	FG	1	6 5M1	13/A602	3/4 HR 7 205	
D-1	3'-0" x 8'-0"	1 3/4"	FG1	NO	FG	FG	1	7/A602	7/A602	12/A602	...

- NOTES:  
 1. HARDWARE "E" ARE ELECTRIC STRIKE WITH CARD READER  
 2. RATED DOORS VISION PANEL: FIRE RATED GLASS  
 3. OVERHEAD DOORS VISION PANEL: INSULATED SAFETY GLASS  
 4. FG: FIBERGLASS REINFORCED GLASS DOORS/FRAMES

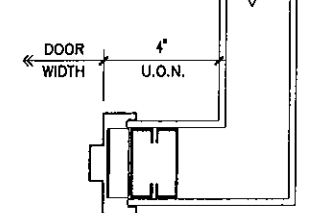
1. DOOR IDENTIFICATION:



2. BORROWED LIGHT IDENTIFICATION:



3. JAMB AT CORNER:



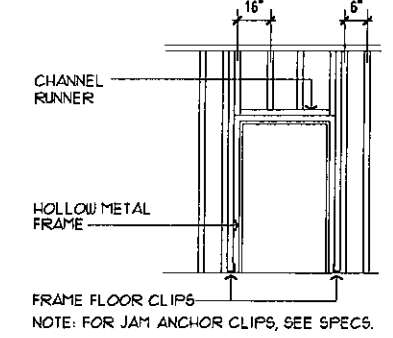
NOTE:  
 1. MOUNT ALL DOOR HANDLES AT 4'-0" MAXIMUM AFF. TO CENTERLINE OF HANDLE UNLESS OTHERWISE NOTED. (TYP.)

2. DOOR ELEVATIONS DO NOT INCLUDE FRAME.  
 3. ALL GLAZING TO BE TEMPERED GLASS THRU-OUT OR NOTED BY GLASS TYPE.

4. REFER TO FINISH PLAN AND FINISH MATERIAL LIST FOR TRANSITION/SADDLE INFORMATION

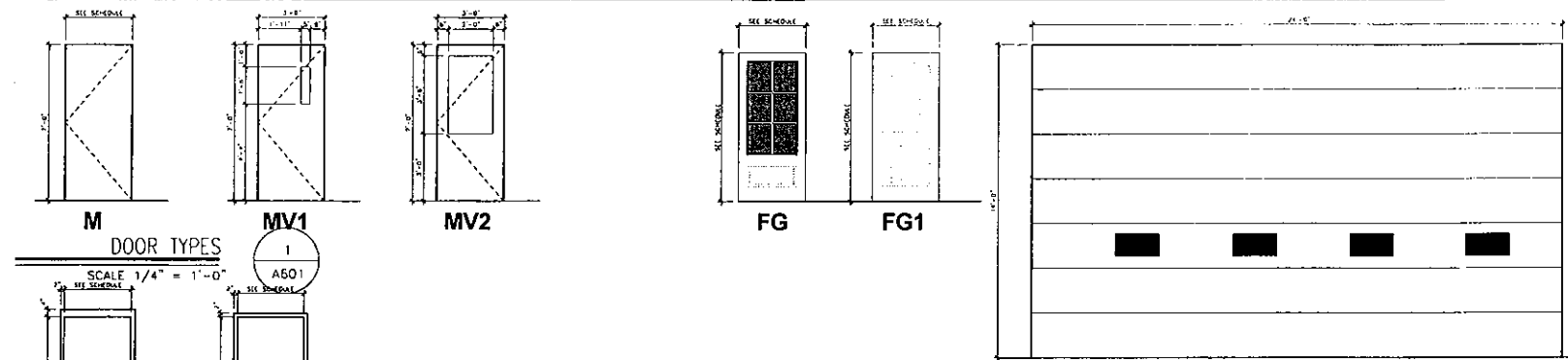
M = METAL  
 FG = FIBERGLASS

4. TYPICAL STUD FRAMING AT DOORS:

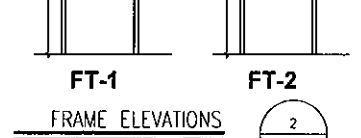


5. ALL DOORS SHALL BE 1 3/4" THICK, UNLESS OTHERWISE NOTED.

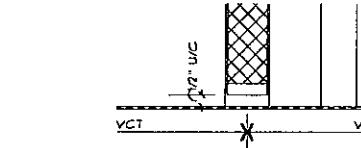
6. ALL INTERIOR DOORS SHALL BE UNDERCUT AND PROVIDED WITH SADDLES AS SHOWN (UNLESS OTHERWISE INDICATED).



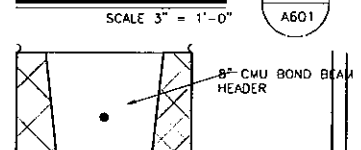
DOOR TYPES



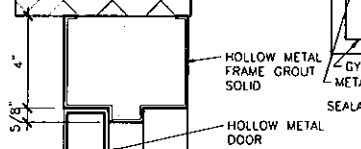
FRAME ELEVATIONS



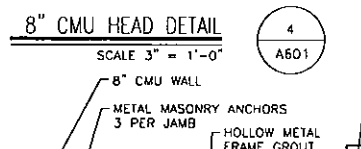
SADDLE TYPES



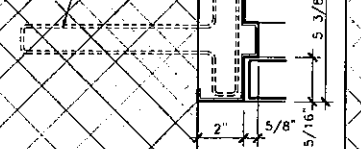
8" CMU HEAD DETAIL



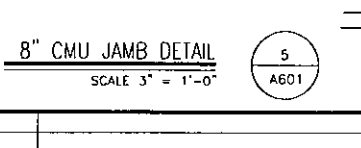
12" CMU HEAD DETAIL



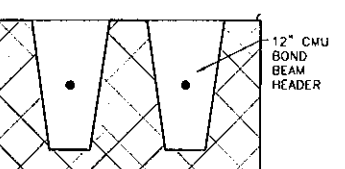
STONE HEAD DETAIL



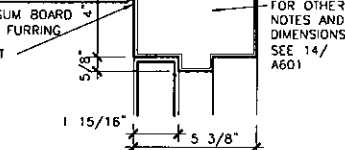
STUD HEAD DETAIL



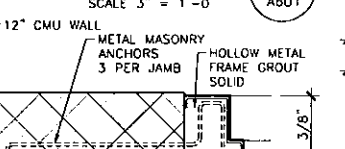
GARAGE HEAD DETAIL



8" CMU JAMB DETAIL



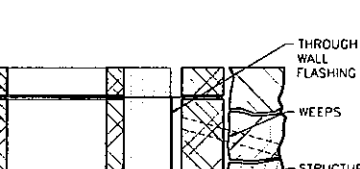
12" CMU JAMB DETAIL



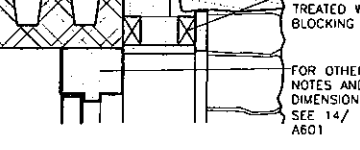
STONE JAMB DETAIL



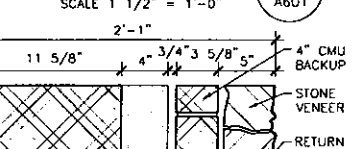
PLUMBING VENT PENETRATION DETAIL



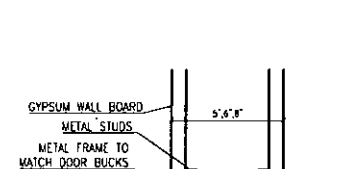
8" CMU WALL DETAIL



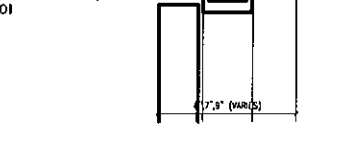
12" CMU WALL DETAIL



STONE WALL DETAIL



STUD WALL DETAIL



GARAGE WALL DETAIL



PLUMBING VENT PENETRATION DETAIL



THIS IS A VIOLATION OF LAW FOR ANY PERSON, UNLESS ACTING UNDER THE DIRECTION OF A LICENSED ENGINEER, TO ALTER THIS DOCUMENT

THIS DRAWING WAS PREPARED AT THE SCALE INDICATED IN THE TITLE BLOCK. INACCURACIES IN THE STATED SCALE MAY BE INTRODUCED WHEN DRAWINGS ARE REPRODUCED BY ANY MEANS. USE THE GRAPHIC SCALE BAR IN THE TITLE BLOCK TO DETERMINE THE ACTUAL SCALE OF THIS DRAWING.

IN CHARGE OF	DESIGNED BY	CHECKED BY	DRAWN BY



NO.	DATE	REVISION	INIT.
0	10/19/09	ISSUED FOR BID	

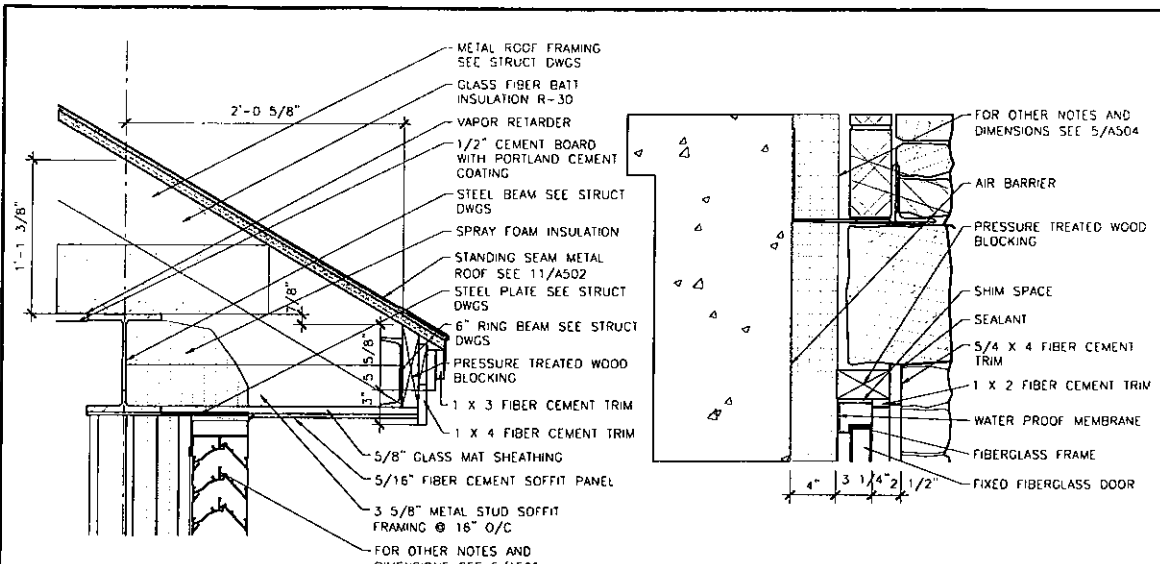
**Lothrop associates architects**  
 200 Summit Lake Drive, Voithallo, N.Y 10595  
 914 741-1115

TOWN OF BEDFORD  
 WATER FILTRATION PLANT &  
 CONNECTION TO THE DELAWARE  
 AQUEDUCT AT SHAFT #13  
 BEDFORD, NEW YORK

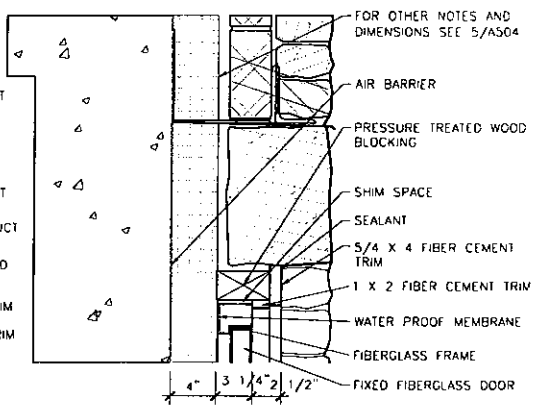
ARCHITECTURAL  
 DOOR SCHEDULE  
 AND DETAILS

FILE NO.	A601
DATE	OCTOBER 2009

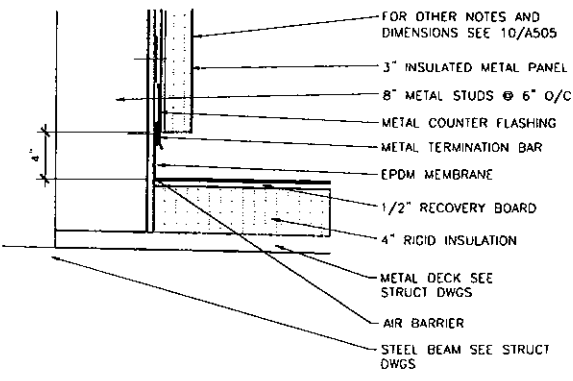
G:\PROJECTS\MUNICIPAL\1191-00 - BEDFORD WATER TREATMENT\1191-00\_09\_1012\_CONSTRUCTION DRAWINGS WORKING SET\1191-00\_ACTIVE\_A601\_SCHEDULES AND DETAILS.DWG



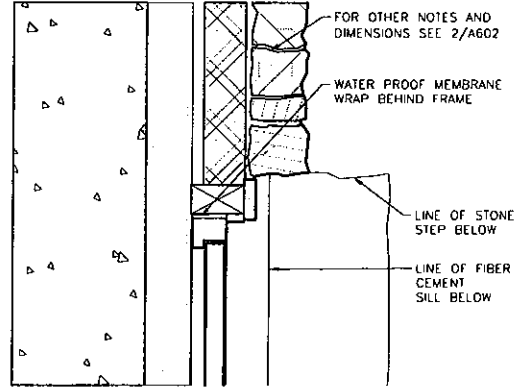
**SILO EAVE DETAIL**  
SCALE 1 1/2" = 1'-0"



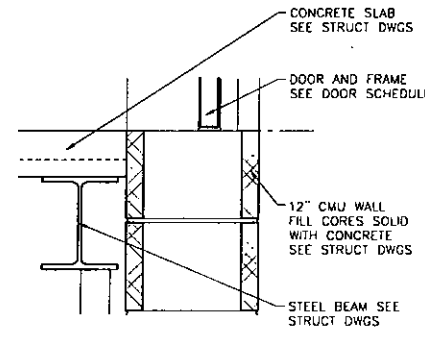
**FIXED DOOR HEAD DETAIL**  
SCALE 1 1/2" = 1'-0"



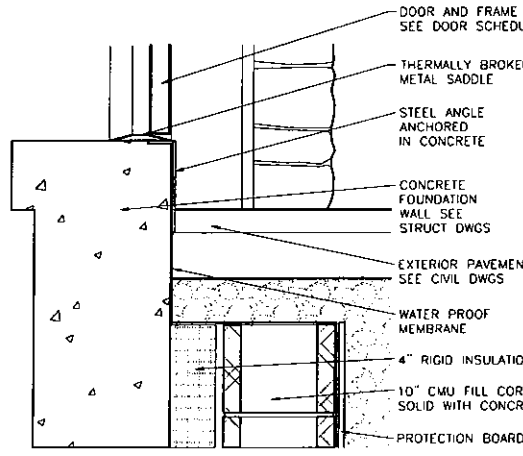
**SILO/EPDM ROOF INTERSECTION DETAIL**  
SCALE 1 1/2" = 1'-0"



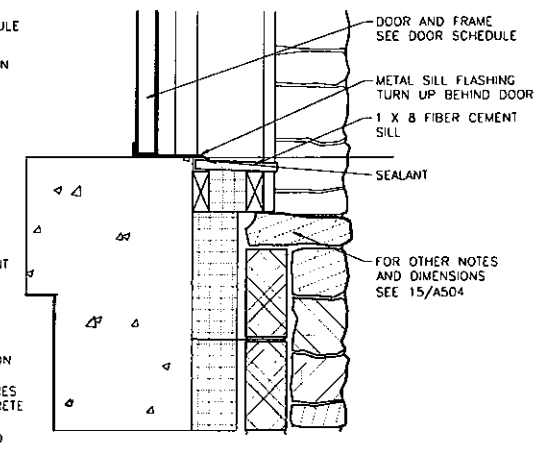
**FIXED DOOR JAMB DETAIL**  
SCALE 1 1/2" = 1'-0"



**2ND FLOOR ACCESS PANEL SILL DETAIL**  
SCALE 1 1/2" = 1'-0"



**EXTERIOR SILL DETAIL**  
SCALE 1 1/2" = 1'-0"



**EXTERIOR ACCESS PANEL SILL DETAIL**  
SCALE 1 1/2" = 1'-0"

**PORCH BATTEN DETAIL**  
SCALE 1 1/2" = 1'-0"

**FIXED DOOR SILL DETAIL**  
SCALE 1 1/2" = 1'-0"

ROOM FINISH SCHEDULE									
RM. NO.	ROOM NAME	FLOOR	BASE	WALLS			CLG	MATL	NOTES
				N	S	E			
B01	PUMP ROOM	CONC	NONE	CONC	CONC	CONC	CONC	CONC	
101	PROCESS AREA	EFC	EFC	CMU/PT	CMU/PT	CMU/PT	CMU/PT	EPI	
102	STAIR NO. 1	CONC	NONE	CMU/PT	CMU/PT	CMU/PT	CMU/PT	CONC	
103	STAIR NO. 2	CONC	NONE	CMU/PT	CMU/PT	CMU/PT	CMU/PT	CONC	
104	CHEMICAL AREA	EFC	EFC	CMU/PT	CMU/PT	CMU/PT	CMU/PT	EPI	
105	SULFURIC ACID STORAGE	CONC	NONE	CMU/PT	CMU/PT	CMU/PT	CMU/PT	CONC	
106	HYPOCHLORITE ROOM	EFC	EFC	CMU/PT	CMU/PT	CMU/PT	CMU/PT	EPI	
107	STAIR NO. 3	VCT	VB	PT	PT	PT	PT	CONC	RESILIENT TREADS + RISERS
108	JANITOR CLOSET	CT-1	CT-1	CT-1	CT-1	CT-1	CT-1	ACT	
109	BATH	CT-1	CT-1	CT-1	CT-1	CT-1	CT-1	ACT	NOTE 12,45
110	LOCKER ROOM	VCT	VB	PT	PT	PT	PT	ACT	
111				NOT USED					
112	BATH	CT-1	CT-1	CT-1	CT-1	CT-1	CT-1	ACT	NOTE 12,45
113	VESTIBULE	MAT	VB	PT	PT	PT	PT	ACT	
114	CORRIDOR	VCT	VB	PT	PT	PT	PT	ACT	
115				NOT USED					
116	STORAGE	VCT	VB	PT	PT	PT	PT	ACT	
117	LAB	VCT	VB	PT	PT	PT	PT	ACT	
118	CONTROL ROOM	VCT	VB	PT	PT	PT	PT	ACT	
119	CHEF OPERATOR'S OFFICE	VCT	VB	PT	PT	PT	PT	ACT	
120	VESTIBULE	MAT	VB	PT	PT	PT	PT	ACT	
121	MEETING/STAFF LOUNGE	VCT	VB	PT	PT	PT	PT	ACT	
122	GARAGE	CONC	NONE	CMU/PT	CMU/PT	CMU/PT	CMU/PT	MDPT	
201	PROCESS AREA	EFC	EFC	EPI	EPI	EPI	EPI	MD/PT	
207	STAIR NO. 3	VCT	VB	PT	PT	PT	PT	ACT	RESILIENT TREADS + RISERS
203	CORRIDOR	VCT	VB	CMU/PT	CMU/PT	PT	PT	MDPT	
204	MECHANICAL ROOM	CONC	NONE	CMU/PT	PT	PT	PT	MDPT	NOTE 3
205	ELECTRIC ROOM	CONC	NONE	PT	PT	CMU/PT	PT	MDPT	
206	STORAGE	CONC	NONE	PT	PT	CMU/PT	PT	MDPT	

**FINISH LEGEND**

ACT = ACOUSTIC CEILING TILE  
 MAT = ENTRY MAT  
 CMU = CONCRETE MASONRY UNIT  
 MDPT = METAL DECK PAINTED /STEEL STRUCTURE  
 CONC = CONCRETE  
 PT = PAINT  
 EFC = EPOXY FLOOR COATING  
 VB = VINYL BASE  
 EPI = EPOXY PAINT  
 VCT = VINYL COMPOSITION TILE

**NOTES**

1. SEE INTERIOR ELEVATIONS FOR TILE PATTERN  
 2. SEE FINISH PLAN FOR TILE PATTERN  
 3. WATERPROOF COATING ON FLOOR AND RUN 6" UP ON WALLS  
 4. SHOWER TILE ON CEILING TO BE ON A DIAGONAL  
 5. SHOWER TILE FLOOR, WALLS, CEILING TO BE TYPE CT-3

**FINISH SCHEDULE**  
SCALE NONE



IT IS A VIOLATION OF LAW FOR ANY PERSON, UNLESS ACTING UNDER THE DIRECTION OF A LICENSED ENGINEER, TO ALTER THIS DOCUMENT

THIS DRAWING WAS PREPARED AT THE SCALE INDICATED IN THE TITLE BLOCK. INACCURACIES IN THE STATED SCALE MAY BE INTRODUCED WHEN DRAWINGS ARE REPRODUCED BY ANY MEANS. USE THE GRAPHIC SCALE BAR IN THE TITLE BLOCK TO DETERMINE THE ACTUAL SCALE OF THIS DRAWING.

IN CHARGE OF \_\_\_\_\_  
 DESIGNED BY \_\_\_\_\_ CHECKED BY \_\_\_\_\_  
 DRAWN BY \_\_\_\_\_



NO.	DATE	REVISION
0	10/19/09	ISSUED FOR BID

**Lothrop associates architects**  
 200 Summit Lake Drive, Voithalla, N.Y 10595 914 741-1116

TOWN OF BEDFORD  
 WATER FILTRATION PLANT &  
 CONNECTION TO THE DELAWARE  
 AQUEDUCT AT SHAFT #13  
 BEDFORD, NEW YORK

ARCHITECTURAL  
**FINISH SCHEDULE  
 AND DETAILS**

FILE NO.  
 1191-00  
 DATE  
 OCTOBER 2009  
**A602**